



2022 CATALOG

www.EshlemaniaTV.net

www.YouTube.com/c/EshlemaniaTV

WORK HARD.



www.EshlemaniaTV.net

www.YouTube.com/c/EshlemaniaTV

FEEL GOOD.

Aches and pains aren't trophies – they're just barriers keeping pros like you from getting the work done. You know better than anyone that this business can be back-breaking, but that's all the more reason to partner with someone who has your back.

We're about helping you finish strong and feel good doing it. That's why we've built our equipment for unmatched comfort, durability and quality of cut. And we build you up with world-class customer support.

So you can get more jobs done, with more peace of mind, and have more energy to take on tomorrow.

Let the other guys keep suffering for the job.

It's time for you to finish one more day of hard work feeling good.



CONTENTS

| | |
|---------------------------|----|
| WHY FERRIS® | 04 |
| ZERO TURNS | 08 |
| STAND-ONS | 22 |
| FRONT MOUNTS | 29 |
| WALK BEHINDS | 30 |
| COLLECTION SYSTEMS | 36 |
| ACCESSORIES & ATTACHMENTS | 38 |
| BLOWERS | 40 |
| SPREADER/SPRAYERS | 48 |
| SPECIFICATIONS | 58 |

▶ SO HOW DOES IT WORK?

Our integrated suspension systems are engineered with carefully selected components that work together to provide you with a smooth ride on uneven turf. The cutting deck of the mower works in conjunction with the suspension system to provide a consistent quality of cut. These systems minimize shock to the chassis, and you, resulting in superior comfort, stability, traction and increased mowing efficiency.

The swingarm rear suspension system utilizes coil-over shocks and a shared pivot point for the rear wheels. This allows the rear wheels to move in unison with one another, enhancing stability and smoothing out the ride over uneven terrain.
(All suspension models)

REAR SUSPENSION SYSTEM

MULTI-PATENTED SUSPENSION TECHNOLOGY



S SERIES

A pivoting front axle combined with coil-over shocks allows the front wheels to adjust to uneven terrain. This smooths out the rough surface and improves traction.
(500S, IS 600, IS 700)



IS® SERIES

Proven independent suspension technology utilizes independent control arms and coil-over shocks that follow a slight arc through the full range of travel. They dampen the vibration of rough terrain – allowing mowing at higher rates of speed.
(IS 2600, IS 6200)



FOREFRONT™ SUSPENSION

The turf industry's most advanced independent suspension system utilizes four steel control rods that work with mower-specific coil-over shocks to ensure the caster wheel remains in an ideal vertical position and in contact with the ground. This virtually eliminates caster chatter for a smooth ride and straight mowing lines – even when mowing at full speed. (ISX™ models)

THREE FRONT SUSPENSION SYSTEMS

SHOCK DESIGN

NO PAIN. MORE GAIN. Why decide between getting your work done faster or feeling good when you finish? Ferris covers you on both. Our integrated suspension systems reduce the effects of uneven terrain, virtually eliminating shock to the chassis, and your body. And by allowing you to maintain speed while mowing, it increases your productivity by getting the job done faster. This lets you power through each day, knowing that you'll still feel good tomorrow.



▶ COIL-OVER SHOCKS

We use a coil-over type shock – similar to a car – that is comprised of two major components: a spring and a damper. The spring manages the up and down movement while the damper controls how fast the spring can move up or down. The progressive spring is adjustable and starts off soft, then stiffens when compressed, as the bumps increase in size. This feature delivers a smoother ride at faster speeds allowing you to do more.

▶ SHOCK OFFERING

A wide variety of shock sizes are used across the range. For example, the ISX 2200 uses a large sized shock that is great for damping large bumps at high speeds while the ISX 800 uses a medium sized shock that generates a plush ride in less demanding conditions.

▶ HOW LONG DO SHOCKS LAST?

Ferris offers a 5-year warranty¹ on all suspension components, but the expected life is significantly longer.

¹ See operator's manual or ferrisowners.com for complete warranty details. Refer to the engine operator's manual for engine warranty details.



iCD™ CUTTING SYSTEM

STAY A CUT ABOVE. Our exclusive iCD™ Cutting System offers next-level performance in a variety of conditions. We built in an extra wide opening to disperse clippings quickly and evenly. Our sloped nose design allows you to cut at higher speeds without sacrificing quality of cut. Your name rides on results – that's why we give you a cut that's second to none.

FEATURES

Extra wide discharge opening

Evenly disperses grass clippings and the rubber flexible discharge chute reduces contact damage

Two layers of 10-gauge steel

Are welded together to reinforce the top center portion of the cutter deck. A reinforced leading edge protects where the deck needs it most

Offset center point

Optimizes air flow and provides a larger discharge opening, allowing for mowing at higher speeds

2-BELT DECK* EXCLUSIVES

Custom 2-belt system

Two heavy-duty custom v-belts deliver less component strain for less downtime and easily handle extreme cutting conditions by reliably applying high horsepower

Deep grooved spindle drive pulleys

Deep grooves in the pulley provide for smoother engagement that's less likely for a belt to dislodge or roll from the pulley

3-Year Belt Limited Warranty†

* Select models.

† 2-belt decks come with a limited warranty of three years (36 months) or 700 hours, whichever comes first. This warranty covers parts & labor in year one and parts only in years two and three. See dealer for complete warranty details.

OIL GUARD™ SYSTEM BY VANGUARD®

LESS MAINTENANCE. MORE PERFORMANCE. You have enough going on each day. That's why we created a technology designed to keep you going. Our first-of-its-kind Oil Guard™ System from Vanguard extends maintenance intervals up to 500%. That means you spend less on oil and can cut up to 500 hours before ever needing an oil change. Get more time on the job, more money in your pocket and more mileage from your mower.

▶ **500 HOUR OIL MAINTENANCE INTERVALS**

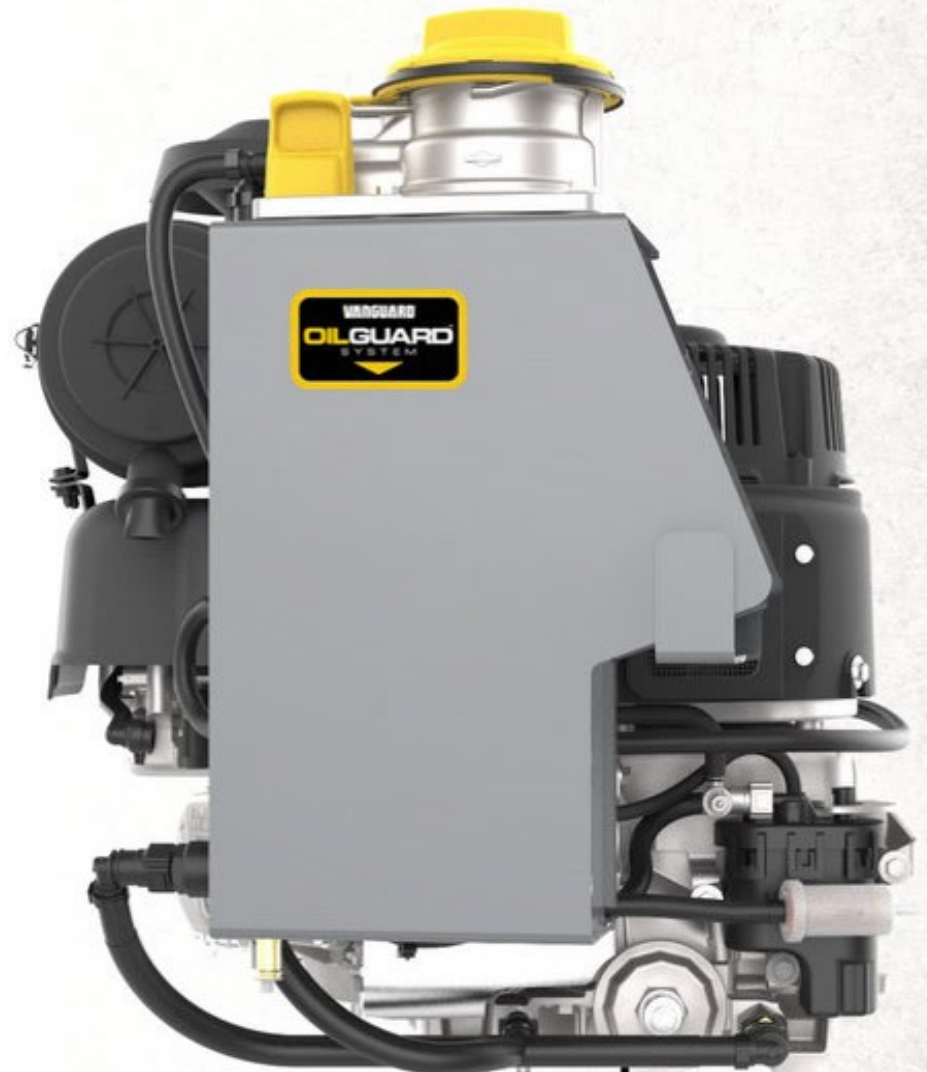
Less downtime means more time on the job.

▶ **60% COST SAVINGS**

Per season, per unit on oil maintenance*

▶ **CLEANER, FASTER, EASIER OIL CHANGES**

An easy fill cap and integrated oil filter make oil changes faster and simple.



* Cost savings based on oil maintenance with 100 hour interval versus Oil Guard System 500 hour service interval

▶ “...everything I was hoping for. Smooth cut, powerful engine, and a great ride.”

- Mike, MO

ZERO



F60

F SERIES

The F Series pairs essential commercial-grade components with a compact, sturdy frame to make for an excellent entry-level zero turn mower.

4-YEAR OR 500 HOURS LIMITED WARRANTY*



500S

S SERIES

The S Series is for those who need their mower to take on a little bit of everything. This versatile zero turn has back-saving suspension technology, serving up cut quality, comfort, and durability.

3-YEAR CONSUMER | 90-DAY COMMERCIAL*



IS 600

IS® SERIES

End the day feeling good with an IS Series commercial mowers featuring patented suspension technology and powerful engine options. Whether you run a fleet or are an owner-operator there is a unique solution for you.



IS 700

TURNS



ISX 800



ISX 2200



ISX 3300



IS 2600



IS 6200

ISX™ SERIES

Our leadership in suspension technology excels in the industry-leading ForeFront Suspension system. Delivering a premium, cushioned ride that drastically reduces shock to your body, as well as the mower, and enables you to mow faster and get done quicker than ever before. Be in control of your productivity and comfort, without sacrificing cut quality with the Ferris ISX Series.

DIESEL IS® SERIES

Step up to the diesel IS Series for exceptional performance in an industry-leading package. With powerful engine options from CAT® and Yanmar™ there is a reliable diesel solution to answer any challenge. Plus, while they pack a punch for performance, they don't sacrifice comfort with their patented 4-point suspension system, which delivers a comfortable, sustainable ride for less downtime.

2+2 YEAR LIMITED WARRANTY* + 5-YEAR LIMITED SUSPENSION WARRANTY* + 3-YEAR LIMITED BELT WARRANTY*

* See operator's manual or ferrismowers.com for complete warranty details. Refer to the engine operator's manual for engine warranty details.

F60



Durability, affordability and power are packed into this compact zero turn that is loaded with commercial features and premium components. Designed to get you in and out of your jobs quickly and confidently, the F60 features a commercial transmission, fabricated mower deck, fixed frame and reaches speeds of up to 7 mph.

| MODEL | ENGINE OPTIONS | DECK |
|---------|----------------------------------|----------------|
| 5901895 | Kawasaki® FX600V (19 hp**/603cc) | 36" Fabricated |

Available accessories:

Mulch kit, trailer hitch kit, LED light kit, service jack, magnetic deck pin

▶ **FABRICATED MOWER DECK**

Two layers of 10-gauge steel are welded together to reinforce the top center portion of the cutter deck and a reinforced leading edge protects where the deck needs it most

▶ **HYDRO-GEAR® ZT-3100® TRANSAXLES**

Dual-commercial transaxes with 7" cooling fans to repel debris

Accessibility

Quick removal of the floor pan provides convenient access to the top of the deck for easy cleaning and service

Easy maneuverability

The compact, small-frame is lightweight and allows for easy mobility in tight spaces

Fixed frame seat

Rugged, fixed design provides operator comfort through a mid-back seat with cushioned arm rests

Rugged twin 4 gallon fuel tanks

Total fuel capacity of 8 gallons of unleaded gasoline

Ground speeds up to 7 mph

Cover more grass in less time for increased productivity

NEW!

500S

The 500S zero turn mower is packed with essential features to deliver reliable productivity and performance. The differentiating 4 point suspension saves your body from the pains of continuous mowing. Plus, the commercial-like performance and extras like the LED headlight make for a confident mowing experience season after season.



| MODEL | ENGINE OPTIONS | DECK |
|---------|--|------|
| 5902051 | Briggs & Stratton® Commercial Series (25 hp*/724 cc) | 48" |
| 5902052 | Briggs & Stratton® Commercial Series (25 hp*/724 cc) | 52" |
| 5902056 | Kawasaki® FR730V (24 hp*/726 cc) | 61" |
| 5902053 | Briggs & Stratton® Commercial Series (25 hp*/724 cc) | 61" |

Available accessories:

Collection systems, mulch kit, trailer hitch kit, service jack, magnetic deck pin

▶ PATENTED SUSPENSION

Equipped with swingarm rear and pivoting front coil-over shocks means less concern for uneven ground, and more focus on getting work done

▶ COMMERCIAL GRADE POWER

Briggs & Stratton® Commercial Series engines are built with the ultimate in dust and particle filtration, an advanced debris management system and a beefed-up cylinder block structure

Convenient components

Confidently mow day or dusk with the standard integrated LED headlight, premium mid-back seat, and improved engine protection

Fabricated mowing deck

The fabricated 10-gauge steel mowing deck is durable and provides reliable cutting performance in a variety of conditions

Hydro-Gear® transaxles

Dual-commercial transaxles with 7" cooling fans repel debris and provide consistent power
48" deck: ZT-2800* 52" & 61 decks: ZT-3100*

Confident traction

22-inch rear-drive tires and large front casters ensure wheel contact for dependable traction in varying conditions

Ground speeds up to 8.5 mph

The suspension and high-powered components deliver a high-speed mowing experience without sacrificing cut quality

Foot-operated deck lift

An adjustable pedal changes cut height in 0.25" increments from 1.5" to 4.5"

* Power levels are stated gross horsepower at 3600 rpm per SAE J1940 as rated by Briggs & Stratton.

IS 600



The IS 600 is a compact zero turn with the productivity and comfort features landscapers are looking for. Featuring our patented suspension technology, heavy-duty Hydro-Gear ZT-3200™ Drive System and speeds up to 10 mph, this mower can tackle tight spaces while providing maximum maneuverability and productivity.

| MODEL | ENGINE OPTIONS | DECK |
|---------|---|------|
| 5901908 | Kawasaki® FS600V (18.5 hp**/603 cc) | 48" |
| 5901907 | Briggs & Stratton® Commercial Series (25 hp**/724 cc) | 48" |
| 5901911 | Kawasaki® FS691V (23 hp**/726 cc) | 52" |
| 5901906 | Briggs & Stratton® Commercial Series (25 hp**/724 cc) | 52" |

Available accessories:

Collection systems, mulch kit, trailer hitch kit, flat-free caster tires, light kit, service jack, professional striping kit, laser-edge blade sets, magnetic deck pin

▶ **COMMERCIAL GRADE POWER**

Briggs & Stratton® Commercial Series engines are built with the ultimate in dust and particle filtration, an advanced debris management system, and a beefed-up cylinder block structure

▶ **COMPREHENSIVE WARRANTY***

Coil-over shocks and all suspension-related components are covered for 5 years (60 months), unlimited hours

Patented suspension system

Pivoting front axle plus small shocks and medium rear shocks allows the wheels to follow the ground and improve comfort in a wide variety of conditions

Fabricated 10-gauge steel deck

Double top deck, overlap welded corners and double reinforced side skirts, steel reinforced leading edge

Hydro-Gear ZT-3200 transaxles

Dual-commercial transaxles with 7" cooling fans repel debris

Cast aluminum spindles

Greasable bearings provide a longer usable life

22" turf-friendly rear tires

Large rear tires provide increased traction and performance

Ground speeds up to 10 mph

Cover more grass in less time for increased productivity

* Power levels are stated gross horsepower at 3600 rpm per SAE J1940 as rated by Briggs & Stratton.

** All power levels are stated gross horsepower per SAE J2723 as rated by Kawasaki.

See operator's manual or FerrisPower.com for complete warranty details. ** See the engine operator's manual for engine warranty details.

IS 700

Mow more lawn in less time. The IS 700 Series, with up to five feet of cutting width, features our patented suspension technology, iCD Cutting System, heavy-duty Hydro-Gear ZT-3200 drive system and speeds up to 10 mph. This mower is full of features to improve the quality of cut and increase productivity and comfort.



| MODEL | ENGINE OPTIONS | DECK |
|---------|--|------|
| 5901920 | Briggs & Stratton® Commercial Series (27 hp*/810 cc) | 52" |
| 5901919 | Briggs & Stratton® Commercial Series (27 hp*/810 cc) | 61" |

Available accessories:

Collection systems, mulch kit, trailer hitch kit, flat-free caster tires, LED light kit, service jack, professional striping kit, laser-edge blade sets, magnetic deck pin

▶ **PATENTED SUSPENSION SYSTEM**

Pivoting front axle plus small shocks and medium rear shocks allow the wheels to follow the ground and improve comfort in a wide variety of conditions

▶ **STAND-OUT PERFORMANCE**

The well-tuned steering system delivers smooth and confident operation for excellent performance time after time

iCD Cutting System

Specially engineered for the best quality cut and longer component life

Hydro-Gear ZT-3200 transaxles

Dual-commercial transaxles with 7" cooling fans to repel debris

Cast aluminum spindles

Greaseable bearings provide a longer usable life

22" turf-friendly rear tires

Large rear tires provide increased traction and performance

Ground speeds up to 10 mph

Cover more grass in less time for increased productivity

Fuel capacity of 5.5 gallons of unleaded gasoline

* Power levels are stated gross horsepower at 3600 rpm per SAE J1940 as rated by Briggs & Stratton.

ISX 800

The ISX 800 is engineered to increase efficiency and comfort. Combining next-generation Ferris technology, ForeFront Suspension with a 2-belt iCD Cutting System, means a smoother ride and improved cut.



| MODEL | ENGINE OPTIONS | DECK |
|---------|--|---------|
| 5902018 | Kawasaki® FT730V (24 hp*/726 cc) | 52" iCD |
| 5902023 | Briggs & Stratton® Commercial Series (27 hp*/810 cc) | 52" iCD |
| 5902019 | Kawasaki® FT730V (24 hp*/726 cc) | 61" iCD |
| 5902022 | Kawasaki® FT730V - EFI (26 hp*/726 cc) | 61" iCD |
| 5902024 | Briggs & Stratton® Commercial Series (27 hp*/810 cc) | 61" iCD |
| 5902017 | Briggs & Stratton® Commercial Series - EFI ETC (27 hp*/810 cc) | 61" iCD |

Available accessories:

Collection systems, mulch kit, trailer hitch kit, flat-free caster tires, LED light kit, service jack, professional striping kit, Kenda Terra Trac drive tires, laser-edge blade sets, magnetic deck pin

▶ FOREFRONT SUSPENSION SYSTEM

The patented system utilizes medium shocks with four upper and lower control rods that ensure the front caster bearing remains vertical through the full range of travel for an exceptionally smooth ride

▶ EFI-ETC ENGINE TECHNOLOGY

Select models feature the Briggs & Stratton Commercial Series engine with EFI-ETC technology for easy starting and smooth performance

iCD Cutting System with 2-belt deck

Specially engineered for the best quality cut and longer component life

Integrated transmission

Commercial Hydro-Gear ZT-3400® transaxles, with 7" cooling fans, are designed for high performance and are fully serviceable

Cast aluminum spindles

Greasable bearings provide a longer usable life

Ground speeds up to 10 mph

Cover more grass in less time for increased productivity

23" turf-friendly rear tires

Commercial grade performance optimizes stability and traction

Fuel capacity of 5.5 gallons of unleaded gasoline

* Power levels are stated gross horsepower at 3600 rpm per SAE J1940 as rated by Briggs & Stratton
 ** All power levels are stated gross horsepower per SAE J2723 as rated by Kawasaki

ISX 2200

Take productivity and comfort up a notch. The ISX 2200 boasts our most advanced suspension technology – ForeFront Suspension, ensuring operator comfort. A 2-belt iCD cutting system delivers unrivaled cut quality and the heavy-duty Hydro-Gear ZT-4400™ Transaxle drive system provides power and durability to get the job done.



| MODEL | ENGINE OPTIONS | DECK |
|---------|--|------|
| 5902025 | Kawasaki® FX801V (25.5** hp/852 cc) | 52" |
| 5902027 | Kawasaki® FT730V EFI (26** hp/726 cc) | 52" |
| 5901924 | Vanguard® 810cc EFI with Oil Guard (28* hp/810 cc) | 52" |
| 5902026 | Kawasaki® FX801V (25.5** hp/852 cc) | 61" |
| 5902028 | Kawasaki® FT730V EFI (26** hp/726 cc) | 61" |
| 5901923 | Vanguard® 810cc EFI with Oil Guard (28* hp/810 cc) | 61" |

Available accessories:

Collection systems, mulch kit, trailer hitch kit, flat-free caster tires, LED light kit, service jack, professional striping kit, Kenda Terra Trac drive tires (61"), laser-edge blade sets, magnetic deck pin

▶ **FOREFRONT SUSPENSION SYSTEM**

The patented system utilizes large shocks with four upper and lower control rods that ensure the front caster bearing remains vertical through the full range of travel for an exceptionally smooth ride

▶ **PREMIUM SUSPENSION SEAT**

Select models feature the premium high-back suspension seat with armrests, adjustable lumbar and back recline

iCD Cutting System with 2-belt deck

Specially engineered for the best quality cut and longer component life

Hydro-Gear ZT-4400™ transaxles

Dual-commercial transaxles with 8.3" cooling fans to repel debris

Cast iron spindles

Greasable cast iron 8" bearings for improved durability in demanding conditions

Unleaded gas capacity of 11 gallons

Rugged twin 5.5 gallon fuel tank for increased productivity

24" turf-friendly rear tires

Commercial grade performance optimizes stability and traction

Tapered bumper with built-in tie down points

Provides added engine protection and angled design provides more ground clearance

* Power levels are stated gross horsepower at 3600 rpm per SAE J1940 as rated by Briggs & Stratton.
 ** All power levels are stated gross horsepower per SAE J2723 as rated by Kawasaki.



ISX 3300

Featuring ForeFront Suspension and extra large shocks, the ISX 3300 is the most productive gas-powered zero turn mower in our lineup. Select models are powered by the Vanguard BIG BLOCK™ with EFI-ETC engine for fuel savings, easy starting and smooth, consistent productivity.



| MODEL | ENGINE OPTIONS | DECK |
|---------|---|------|
| 5902033 | Kawasaki® FX921V (31 hp**/999 cc) | 61" |
| 5902034 | Vanguard® BIG BLOCK™ (36 hp*/993 cc) | 61" |
| 5902031 | Kawasaki® FX1000V EFI (38.5 hp**/999 cc) | 61" |
| 5901881 | Vanguard® BIG BLOCK™ EFI-ETC with Oil Guard (40 hp*/993 cc) | 61" |
| 5902035 | Vanguard® BIG BLOCK™ (36 hp*/993 cc) | 72" |
| 5902032 | Kawasaki® FX1000V EFI (38.5 hp**/999 cc) | 72" |
| 5901872 | Vanguard® BIG BLOCK™ EFI-ETC with Oil Guard (40 hp*/993 cc) | 72" |

Available accessories:

Collection systems (61"), mulch kit, trailer hitch kit, flat-free caster tires, LED light kit, service jack, professional striping kit, Kenda Terra Trac drive tires, laser-edge blade sets, magnetic deck pin

▶ FOREFRONT SUSPENSION SYSTEM

The patented system utilizes extra large shocks with four upper and lower control rods that ensure the front caster bearing remains vertical through the full range of travel for an exceptionally smooth ride

▶ VANGUARD BIG BLOCK EFI-ETC WITH OIL GUARD

The Vanguard BIG BLOCK EFI-ETC engine with Oil Guard features 40 hp* giving you added cutting performance to excel in thick, dense and wet grass (select models)

Vanguard electronic throttle control

This new technology allows the engine to harness all the power that is generated for more consistent blade tip speed (select models)

iCD Cutting System with 2-belt deck

Specialty engineered for the best quality cut and longer life

Hydro-Gear ZT-5400 Powertrain® transaxles

Dual-commercial transaxles with 9" cooling fans to repel debris

Hercules™ II spindles

Greasable bearings and heavy-duty cast-iron construction

Ground speeds up to 12 mph

Cover more grass in less time for increased productivity

26" turf-friendly rear tires

Commercial grade performance optimizes stability and traction

* Power levels are stated gross horsepower at 3600 rpm per SAE J1940 as rated by Briggs & Stratton.
 ** All power levels are stated gross horsepower per SAE J2723 as rated by Kawasaki.



WE'VE GOT YOUR BACK.

Robust commercial warranties that
protect your investment.

www.EshlemaniaTV.net

www.YouTube.com/c/EshlemaniaTV

IS 2600

The IS 2600 mower builds on the Ferris zero turn legacy, offering diesel power with premium features and enhanced productivity. Featuring our iCD Cutting System, long-life greaseable cast-iron spindles and the patented suspension Ferris is known for, this machine truly performs under the rigors of professional landscaping.



| MODEL | ENGINE OPTIONS | DECK |
|---------|---------------------------------|------|
| 5901929 | Yanmar™ Diesel (24 hp / 904 cc) | 61" |

Available accessories:

Mulch kit, trailer hitch kit, flat-free caster tires, LED light kit, deluxe high-back suspension seat, service jack, professional striping kit, Kenda Terra Trac drive tires, laser-edge blade sets, magnetic deck pin

▶ **EFFICIENT DIESEL POWER**

Efficient Yanmar™ 3-cylinder diesel engine provides lasting power in the most demanding of conditions.

▶ **PATENTED SUSPENSION SYSTEM**

Consists of adjustable rear coil-over shocks and independent adjustable front coil-over shocks.

iCD Cutting System

Specially engineered for the best quality cut and longer component life.

Hydro-Gear ZT-4400 transaxles

Dual-commercial transaxles with 8.3" cooling fans to repel debris.

Cast iron spindles

Greaseable cast iron 8" bearings.

24" turf-friendly rear tires

Commercial grade performance optimizes stability and traction.

Ground speeds up to 10 mph

Cover more grass in less time for increased productivity.

Diesel fuel capacity of 11 gallons

Twin rugged 5.5-gallon fuel tanks for less downtime to fill up.

^ Power rated by engine manufacturer.



IS 6200

Big jobs need a big mower and the IS 6200 was purpose-built to tackle challenges with power and efficiency. The 48 hp[^] CAT[®] turbo diesel engine provides dominating power and the suspension system ensures operator comfort. A 72" cutting width and speeds up to 12 mph allow crews to handle municipal and industrial properties easily.



| MODEL | ENGINE OPTIONS | DECK |
|---------|---|---------|
| 5901849 | CAT [®] Turbo Diesel (48 hp / 1700 cc) | 72" iCD |

Available accessories:

Mulch kit, flat-free caster tires, service jack, professional striping kit, Kenda Terra Trac drive tires, laser-edge blade sets, magnetic deck pin

▶ CAT TURBO DIESEL ENGINE

Delivering a top speed of 12 mph, this market separating engine has a life expectancy double that of gas engines between 4,000 and 5,000 hours and is rated at 48" hp (the highest for a zero turn mower in this class)

▶ DIGITAL MONITORING DISPLAY

Interactive onboard display maintains and monitors the performance and operation of the mower for peak performance

Independent suspension system

Utilizes rear a-arms and front control arms with large adjustable coil-over shocks to minimize caster chatter and deliver a smooth ride

iCD Cutting System with 2-belt deck

Specialty engineered for the best quality cut and longer life

Hydraulic deck lift

Foot activated hydraulic deck lift system for easy lifting and lowering

Heavy-duty clutch & gear box

A hand-operated 450 ft lb Warner Electric clutch and a right angled Curtis[®] gearbox with dual 1" shafts harnesses more horsepower

Long lasting comfort

Comes standard with the next generation ROPS, suspension seat and IS front suspension for an added layer of comfort

Durable Hercules II spindles

Built to last Hercules II Cast Iron spindles for sustainable productivity

[^] Power is rated for 48 gross horsepower at 2800 rpm as rated by CAT.

▶ “ The smoothest and most efficient mower I have owned in my 17 years in the lawn care industry! ”

- Maverick Lawn Care, MN

STAND



SRS Z1



SRS Z2



SRS Z3X

SRS™ SERIES

Expanding on our zero turn lineup of commercial lawn mowers, the Soft Ride Stand-on (SRS™) Series of stand-on mowers delivers the kind of heightened productivity that has become synonymous with the Ferris brand, in a stand-on machine. Precision-engineered for superior maneuverability and balanced stability and traction, the ergonomically designed SRS Z1, Z2, and Z3X mowers are loaded with innovative features that live up to Ferris' unwavering commitment to helping you work faster, take on more jobs, and finish the day feeling good.

2+2 YEAR LIMITED WARRANTY* + 5-YEAR LIMITED SUSPENSION WARRANTY* + 3-YEAR LIMITED BELT WARRANTY*

ONS



SRS Z1



Ideal for tight gates and smaller trailers the SRS Z1 offers excellent productivity in a compact frame. True to the Soft Ride Stand-on (SRS) series, the adjustable operator platform on the Z1 features suspension technology, improving operator comfort and performance.

| MODEL | ENGINE OPTIONS | DECK |
|---------|-----------------------------------|------|
| 5901939 | Kawasaki® FX600V (19 hp**/603 cc) | 36" |
| 5901941 | Vanguard® 810 (23 hp*/627 cc) | 36" |
| 5901940 | Kawasaki® FX691V (22 hp**/726 cc) | 48" |
| 5901942 | Vanguard® 810 (23 hp*/627 cc) | 48" |

Available accessories:

Mulch kit, metal grass catcher, LED light kit, service jack, professional striping kit (48" deck), Kenda Terra Trac drive tires (48"), laser-edge blade sets (48"), magnetic deck pin

▶ SUSPENSION PLATFORM SYSTEM

The operator platform is suspended by a coil-over shock with five adjustable positions, optimizing operator comfort and increasing productivity

▶ SPEED CONTROL SETTING

The easy locking 3-position speed control setting is conveniently located and requires no tools to facilitate smooth operation in a wide range of conditions

Fabricated 10-gauge steel deck

Double top deck, overlap welded corners and double reinforced side skirts, steel reinforced leading edge

Hydro-Gear ZT-3400 transaxles

Dual-commercial transaxles with 7" cooling fans with a 3-year limited warranty†

Cast aluminum spindles

Greasable bearings provide a longer usable life

23" turf-friendly rear tires

Commercial grade performance optimizes stability and traction

Ground speeds up to 8 mph

Cover more grass in less time for increased productivity

6 gallon fuel capacity

Fuel tank is centrally located for improved stability and ease of fill-ups

* Power levels are stated gross horsepower at 3600 rpm per SAE J1940 as rated by Briggs & Stratton.
 ** All power levels are stated gross horsepower per SAE J2723 as rated by Kawasaki.

† See your retailer or homelowers.com for complete warranty details. †† See the engine operator's manual for engine warranty details.

SRS Z2

The SRS Z2 features our adjustable operator platform with suspension technology that optimizes operator comfort and increases productivity without sacrificing quality-of-cut. The superior balance on the Z2 provides excellent stability and maneuverability that exceeds expectations for traction and handling.



| MODEL | ENGINE OPTIONS | DECK |
|---------|--|------|
| 5902050 | Kawasaki® FT730V (24 hp**/726 cc) | 52" |
| 5901947 | Kawasaki® FX801V (25.5 hp**/852 cc) | 52" |
| 5901948 | Vanguard® 810 EFI with Oil Guard (28 hp*/810 cc) | 52" |
| 5901949 | Vanguard® 810 EFI with Oil Guard (28 hp*/810 cc) | 61" |

Available accessories:

Mulch kit, metal grass catcher (52" deck), LED light kit, professional striping kit, Kenda Terra Trac drive tires (52" & 61"), laser-edge blade sets, magnetic deck pin

500 HOUR OIL CHANGE

Vanguard engines with Oil Guard System reduce maintenance time and costs by up to 60%† (Select models)

SUSPENSION PLATFORM SYSTEM

The operator platform is suspended by a coil-over shock with five adjustable positions, optimizing operator comfort and increasing productivity

Generous Fuel Capacity

8 gallon fuel tank is centrally located for consistent balance, and the fuel filler neck is conveniently located on the side for easy filling

iCD Cutting System

Engineered for the best quality cut and longer life

Hydro-Gear ZT-3800™ transaxles

Dual-commercial transaxles with remote oil coolers and 7" cooling fans with a 3-yr limited warranty‡

Greaseable spindles for longer usable life

Cast-iron (61" deck) or aluminum (52" deck)

23" turf-friendly rear tires

Commercial grade performance optimizes stability and traction

Ground speeds up to 10 mph

Cover more grass in less time for increased productivity

* Power levels are stated gross horsepower at 3600 rpm per SAE J1940 as rated by Briggs & Stratton.

** All power levels are stated gross horsepower per SAE J2723 as rated by Kawasaki.

† Cost savings based on oil maintenance with 100 hour interval versus Oil Guard System 500 hour service interval.

‡ See operator's manual or ferrislawnmowers.com for complete warranty details. Refer to the engine operator's manual for engine warranty details.



SRS Z3X

Built to deliver superior traction and performance, the SRS Z3X raises the bar for stand-on productivity. With 52", 61" and 72" deck options and a pivoting front axle for extra grip on steep inclines, the Z3X increases efficiency without sacrificing safety or the trusted Ferris cut quality on even the most difficult properties.



| MODEL | ENGINE OPTIONS | DECK |
|---------|---|------|
| 5901955 | Kawasaki® FX850V (27 hp*/852 cc) | 52" |
| 5901957 | Vanguard® BIG BLOCK™ EFI with Oil Guard (37 hp*/993 cc) | 52" |
| 5901951 | Vanguard® BIG BLOCK™ EFI with Oil Guard (37 hp*/993 cc) | 61" |
| 5901953 | Vanguard® BIG BLOCK™ EFI with Oil Guard (37 hp*/993 cc) | 72" |

Available accessories:

Mulch kit, metal grass catcher (52" deck), LED light kit, professional striping kit, Kenda Terra Trac drive tires (61" & 72"), laser-edge blade sets, magnetic deck pin

500 HOUR OIL CHANGE

Vanguard engines with Oil Guard System reduce maintenance time and costs by up to 60%[†] (Select models)

PIVOTING FRONT AXLE WITH RADIUS RODS

Robust front axle ensures that all four wheels hold their contact, enhancing comfort and quality of cut

Suspension Platform System

The operator platform is suspended by a coil-over shock with five adjustable positions, optimizing operator comfort and increasing productivity

iCD Cutting System

Engineered for the best quality cut and longer life

Hydro-Gear ZT-4400 transaxles

Dual-commercial transaxles with 8" cooling fans with a 3-year limited warranty[†]

Large Fuel Capacity

Generous 11 gallon fuel tank is centrally located for consistent balance, and the fuel filler neck is conveniently located on the side for easy filling

24" turf-friendly rear tires

Commercial grade performance tires optimize stability and traction to deliver up to 12 mph of ground speed

Locking 4-position speed control

No tools are required to set the speed control bar, in increments of 1-2 mph, for smooth operation to max travel speed of 12 mph

* Power levels are stated gross horsepower at 3600 rpm per SAE J1940 as rated by Briggs & Stratton.

** All power levels are stated gross horsepower per SAE J2723 as rated by Kawasaki.

† Cost savings based on oil maintenance with 100 hour interval versus Oil Guard System 500 hour service interval.

‡ See operator's manual or ferrismowers.com for complete warranty details. Refer to the engine operator's manual for engine warranty details.



DEDICATED TO YOU.

Partnered with our independent local
dealers to ensure you are supported
day in and day out.

ProCut™ S

Getting under low branches and along fencing is quick work for the front-mounted deck of the ProCut™ S. Easy to use and service, the ProCut S has high visibility and optional attachments to add to the utility.



| MODEL | ENGINE OPTIONS | DECK |
|--------------------|--|------|
| 5900533 w/ 5900632 | Kawasaki® FS730V (24 hp**/726 cc) | 61" |
| 5901279 w/ 5900632 | Briggs & Stratton® Commercial Series (27 hp*/810 cc) | 61" |

Available accessories:

Mulch kit, flat-free caster tires, professional striping kit

2+2 YEAR LIMITED WARRANTY† + 5-YEAR LIMITED SUSPENSION WARRANTY†

INDEPENDENT SUSPENSION TECHNOLOGY

Rear wheel suspension with adjustable coil-over shocks

ELECTRIC DECK LIFT

The electric deck lift allows the operator to conveniently raise the cutter deck with the flip of a switch for momentary traction assistance and under-deck maintenance

Easy cut height adjustment

Quick-adjust height of cut control sets cut height from 1.5" to 5" in one easy step

Fabricated 10-gauge steel deck

Double top deck, overlap welded corners and double reinforced side skirts, steel reinforced leading edge

Cast aluminum spindles

Dual-commercial transaxles with remote oil coolers and 7" cooling fans with a 3-year limited warranty†

22" turf-friendly drive tires

18" rear tire helps with steering

Ground speeds up to 8 mph

Cover more grass in less time for increased productivity

* Power levels are stated gross horsepower at 3600 rpm per SAE J1940 as rated by Briggs & Stratton.

** All power levels are stated gross horsepower per SAE J2723 as rated by Kawasaki.

† See operator's manual or eshlemanowers.com for complete warranty details. Refer to the engine operator's manual for engine warranty details.

▶ “ The controls and wide stance allow you to mow places others would not even try.”

- Emerald Lake Lawn, NH

WALK



FW15



FW25



FW45

FW SERIES

This isn't the mower you grew up pushing. Ferris Walk Behinds are meticulously built to help pros make quick work of trim and slope cutting. Ergonomic controls built around you and a variety of cutting widths make these mowers a valuable secret weapon for any crew. And, durable steel construction ensures they'll keep working hard job after job.

2-YEAR LIMITED WARRANTY*

BEHINDS



FW15

The job isn't done until all the nooks and crannies of the property are mowed, including around trees and landscaping. That's why every crew needs a FW15 on the truck. This variable hydrostatic 32" commercial walk-behind is sturdy enough for the rigors of commercial work and is also maneuverable and easy to operate.



| MODEL | ENGINE OPTIONS | DECK |
|---------|---------------------------------|------|
| 5901737 | Honda® GXV390 (10.2 hp/ 389 cc) | 32" |

Available accessories:
Mulch kit, cloth catcher

▶ ONE HAND OPERATION

Comfortable, single-handed operation with adjustable speed control. The handlebars are adjustable with four positions for operator comfort

▶ EASY CUT HEIGHT ADJUSTMENT

Spring assisted, single adjustment point lever for easy cut height adjustment from 1.5" to 5"

Commercial-grade steel timed mower deck

32" compact fully-commercial, fabricated, reinforced, steel deck with dual timed cutting blades

Adjustable handlebars

4-position adjustable handlebars and adjustable speed control for one-handed operation

Peerless transaxle & Hydro-Gear pump

Peerless transaxle with differential chain driven by Hydro-Gear RT-310™ pump and motor for smooth maneuverability

Cast aluminum spindles

Greasable bearings provide a longer usable life

13" oversized drive tires

Large pneumatic drive tires and lightweight front wheels provide high traction

Ground speeds up to 4 mph

FW25

Your crew will breeze through jobs with easy-to-use controls, electric start option, and 6 mph top ground speed on the FW25 walk-behind. With a choice of 36" and 48" deck widths, the FW25 fits most small sheds and trailers, while delivering superior control for navigating thick turf, surface imperfections, and hills.



| MODEL | ENGINE OPTIONS | DECK |
|-----------------------------|---|------|
| 5901886 CC™ Controls | Kawasaki® FS600V (18.5 hp**/ 603 cc) | 36" |
| 5901887 Standard Controls | Kawasaki® FS600V (18.5 hp**/ 603 cc) | 48" |
| 5901888 CC™ Controls | Kawasaki® FS600V (18.5 hp**/ 603 cc)48" | 48" |

Available accessories:

Mulch kit, fabric grass catcher, metal grass catcher, professional striping kit (48"), weight kit, sulky, laser-edge blade sets (48")

▶ **CRUISE CONTROL**

Easily adjust the speed without removing your hands from the control handles while maintaining a clear view of the speed indicator

▶ **EASIER-TO-USE CONTROLS**

The Centralized Control (CC) handle design comfortably places the operator's hands in the ideal position to access all in-demand controls (Select models)

Momentary PTO switch

Blades automatically disengage and keep the engine running when the foot activated neutral pedals are pressed

Fabricated 10-gauge steel deck

Double top deck, overlap welded corners and double reinforced side skirts, steel reinforced leading edge

Hand-removable deck pins

Change cut height in 0.5" increments from 1.5" to 4.5"

Hydro-Gear ZT-3100® transaxles

Dual-commercial transaxles with 7" cooling fans

Cast aluminum spindles

Greasable bearings with top access grease fittings for a longer usable life

Ground speeds up to 6 mph

Cover more grass in less time for increased productivity

** All power levels are stated gross horsepower per SAE J2723 as rated by Kawasaki.



FW45

The FW45 is engineered for performance, productivity, and comfort. The 48" deck allows for maneuverability while engine options provide the power a commercial walk mower needs. Pairing comfort features like ergonomically designed controls with easy maintenance and durability mean the FW45 can handle whatever is thrown at it.



| MODEL | ENGINE OPTIONS | DECK |
|-----------------------------|---|------|
| 5902014 CC Controls | Kawasaki® FX651V (20.5 hp**/ 726 cc) | 48" |
| 5901891 Standard Controls | Kawasaki® FX651V (20.5 hp**/ 726 cc) | 52" |
| 5902015 CC Controls | Kawasaki® FX651V (20.5 hp**/ 726 cc) | 52" |
| 5901892 Standard Controls | Vanguard® 810cc EFI with Oil Guard (28 hp*/ 810 cc) | 52" |
| 5901893 CC Controls | Vanguard® 810cc EFI with Oil Guard (28 hp*/ 810 cc) | 52" |
| 5902016 CC Controls | Kawasaki® FX730V (23.5 hp**/ 726 cc) | 61" |

Available accessories:

Mulch kit, fabric grass catcher (48" & 52"), metal grass catcher (48" & 52"), service jack, LED light kit, professional striping kit, weight kit, sulky, laser-edge blade sets

ADDED POWER AND PERFORMANCE

Powered by a 28 hp* Vanguard 810 EFI engine with Oil Guard, reduce maintenance time and costs by 60%! with a 500-hour oil change interval (Select models)

COOL OIL FOR EFFICIENT USE

External oil coolers for the dual Hydro-Gear ZT-3400 transaxles reduce oil temperature by as much as 25%, plus a new quick fill system makes maintenance that much easier

Easier-to-use controls

The Centralized Control (CC) handle design comfortably places the operator's hands in the ideal position to access all in-demand controls (Select models)

Extra protection

The additional protection shields the 5-gallon gas tank, Oil Guard tank, and muffler from punctures and debris

Fabricated 10-gauge steel deck

Double top deck, overlap welded corners and double reinforced side skirts, steel reinforced leading edge

Single-lever operated deck lift

Quick adjust crank changes height variably from 1.5" to 5"

Momentary PTO switch

Blades automatically disengage and keep the engine running

Ground speeds up to 7 mph

Cover more grass in less time for increased productivity

* Power levels are stated gross horsepower at 3600 rpm per SAE J1940 as rated by Briggs & Stratton.

** All power levels are stated gross horsepower per SAE J2723 as rated by Kawasaki.

† Cost savings based on oil maintenance with 100 hour interval versus Oil Guard System 500 hour service interval.

COLLECTION

► FEATURES

TURBO-PRO™

The TURBO-Pro System is a lightweight blower assembly ideal for use with compact models in all cutting conditions throughout the entire season.



Generous 6" diameter outlet hose



Durable composite impeller housing with reinforced metal plate for high contact debris areas

Heavy-duty oversized drive and idler pulleys combined with long drive belt allow for cool running and maximum belt life



Curved steel blade impeller reduces noise

After initial installation, the quick attach design can be mounted or removed with no tools in a few minutes

TURBO-Pro Blower*
Width: 19"
Weight: 56 lbs
Impeller fin: 2"

TURBO-PRO™ MAX

This go-to system for landscapers acts as a lawn vacuum for a clean finish. It quickly mounts to the deck with tool-less stainless steel hardware. It is ideal for use in all conditions found throughout the season.



Extra wide 7" diameter outlet hose

Twice the air flow vs. Turbo-Pro for increased capacity on larger decks cutting at higher speeds



Rugged steel impeller housing designed for extended life

Heavy-duty oversized drive and idler pulleys combined with long drive belt allow for cool running and maximum belt life



After initial installation, the quick attach design can be mounted or removed with no tools in a few minutes

TURBO-Pro Max Blower*
Width: 21"
Weight: 62 lbs
Impeller fin: 4"

FAST-VAC®

The rugged impeller utilizes industrial-grade bearings, generating phenomenal air flow for use in heavy and wet cutting conditions. Its spindle-driven vertical turbo is narrower, allowing you to get in and out of tight places.



Extra wide 7" diameter outlet hose



Super rugged impeller rides on industrial-grade bearings to generate a phenomenal air flow



Commercial-grade idler and pulleys drive the vertical, spindle-driven turbo resulting in a very narrow profile for improved maneuverability

FAST-Vac Blower*
Width: 15"
Weight: 88 lbs
Impeller fin: 4"

SYSTEMS

▶ COMPATABILITY

TURBO-PRO SYSTEM

CLEAN SWEEP TWIN

The twin bag system is easy to install and features durable materials for reliable debris cleanup.



2-BAG HARD TOP

The double bag collection system is simple to install. Each heavy-duty mesh bag has a rugged polyethylene underside with integrated handle to assist with removal.



3-BAG HARD TOP

Innovative molded hard top design allows for increased capacity. Simple to install. Each heavy-duty mesh bag has an integrated handle to assist with removal.



500S

48" / 52" / 61"
8 cu. ft.

N/A

N/A

IS 600

N/A

48" / 52"
10 cu. ft.

N/A

IS 700

N/A

52" / 61"
10 cu. ft.

N/A

ISX 800

N/A

52"
10 cu. ft.

52"/61"
15 cu. ft.

TURBO-PRO MAX & FAST-VAC SYSTEMS

2-BAG SOFT TOP

The double bag collection system is simple to install. Each heavy-duty mesh bag has a rugged polyethylene underside with integrated handle to assist with removal. Capacity: 9 cu. ft.



ISX 3300

N/A

3-BAG SOFT TOP

Simple to install. Each heavy-duty mesh bag has a rugged polyethylene underside with integrated handle to assist with removal. Capacity: 12.5 cu. ft.



61"

TURBO-Pro Max /
FAST-Vac

ELECTRIC DFS

(Dump From Seat) Simply flip the switch on the control panel to release the hopper right from your seat. Capacity: 12.5 cu. ft.



61"

TURBO-Pro Max /
FAST-Vac

EZ DUMP™

(Dump From Seat) Simply pull up to release the hopper right from your seat. The hopper is specially lined to ensure that all material is dumped. Capacity: 12 cu. ft.



N/A

EZ DUMP XL™

(Dump From Seat) Ideal for larger jobs. Simply pull up to release the hopper right from your seat. The hopper is specially lined to ensure that all material is dumped. Capacity: 14 cu. ft.



61"

TURBO-Pro Max /
FAST-Vac

ISX 2200

52"
TURBO-Pro Max

52" / 61"
TURBO-Pro Max /
FAST-Vac

52" / 61"
TURBO-Pro Max /
FAST-Vac

52" / 61"
TURBO-Pro Max /
FAST-Vac

N/A

* Dimensions listed are the dimensions of the blower unit and do not represent what they might actually add to the mower.

ACCESSORIES &

► FEATURES



Mulch Kit

Select kits include dedicated mulching blades, baffles, hardware and instruction sheet.
Fits: all models.



Fabric Grass Catcher

Durable, fabric bag with hard plastic bottom; attaches quickly. Capacity: 3.75 or 3.25 bushels. (Select models)



Metal Grass Catcher

Rugged steel framed catcher has handles that make attaching and removing a breeze. Capacity: 4.3 bushels. (Select models)



FW15 Bagger

Durable, fabric bag with 7" hose and 90° inlet. Capacity: 2.5 bushels.



Trailer Hitch Kit

Will accept a 1/2" shank ball and comes complete with hardware. Fits: all zero turn models.



Flat-Free Caster Tires

Run all day with no flats. (Standard on select models)



ROPS LED Light Kit

Models are pre-wired for simple installation. (Select models)



LED Light Kit

Models are pre-wired for simple installation. Fits: IS 600.



Premium Suspension Seat

Suspension seat for optimal comfort. (Select models. Seat can vary depending on model)



Service Jack

Heavy-duty steel bracket and jack allow for easy and convenient access to under the deck. Fits: all zero turn models.



One Wheel & Two Wheel Sulky

Includes mounting hardware. Fits: FW25 and FW45.



Magnetic Deck Pin

Conveniently and quickly adjust the deck's height of cut with this magnetized and durable pin. Available in 3/8" and 1/2" pins.



Professional Striping Kit

Rubber flap system lays down grass to create patterns across the landscape. (Select models and deck sizes)



Kenda Terra Trac Drive Tires

Tire only, no rim. (Select models and deck sizes)



Laser-Edge Blade Sets

Hardware not included. (Select models and deck sizes)

ATTACHMENTS

▶ COMPATABILITY

| | F SERIES | S SERIES | IS SERIES | | ISX SERIES | | | DIESEL IS SERIES | |
|------------------------------|-----------|-----------|-----------|-----------|------------|-----------|------------------------|------------------|-----------|
| | F60 | 500S | IS 600 | IS 700 | ISX 800 | ISX 2200 | ISX 3300 | IS 2600 | IS 6200 |
| Mulch Kit | Available | Available | Available | Available | Available | Available | Available | Available | Available |
| Metal Grass Catcher | Available | N/A | N/A | N/A | N/A | N/A | N/A | N/A | N/A |
| Trailer Hitch Kit | Available | Available | Available | Available | Available | Available | Available | Available | N/A |
| Flat-Free Caster Tires | Standard | N/A | Available | Available | Available | Available | Standard (Select SKUs) | Available | Available |
| LED Light Kit | Available | Standard | Available | Available | Available | Available | Available | Available | N/A |
| Premium Suspension Seat | N/A | N/A | N/A | N/A | N/A | Standard | Standard | Available | Standard |
| Service Jack | Available | Available | Available | Available | Available | Available | Available | Available | Available |
| Professional Stripe Kit | N/A | N/A | Available | Available | Available | Available | Available | Available | Available |
| Kenda Terra Trac Drive Tires | N/A | N/A | N/A | N/A | Available | Available | Available | Available | Available |
| Laser-Edge Blade Sets | N/A | N/A | Available | Available | Available | Available | Available | Available | Available |

| | SRS SERIES | | | PROCUT SERIES |
|------------------------------|---------------------------|---------------------------|---------------------------------|---------------|
| | SRS Z1 | SRS Z2 | SRS Z3X | PreCut S |
| Mulch Kit | Available | Available | Available | Available |
| Metal Grass Catcher | Available | Available 52" Models Only | Available 52" Models Only | N/A |
| Flat-Free Caster Tires | Standard | Standard | Standard | Available |
| LED Light Kit | Available | Available | Available | N/A |
| Service Jack | Available | N/A | N/A | N/A |
| Professional Stripe Kit | Available 45" Models Only | Available | Available | Available |
| Kenda Terra Trac Drive Tires | Available 45" Models Only | Available | Available 61" & 72" Models Only | N/A |
| Laser-Edge Blade Sets | Available 45" Models Only | Available | Available | Available |

| | FW SERIES | | |
|-------------------------|-----------|--------------------------------|---------------------------------|
| | FW15 | FW25 | FW45 |
| Mulch Kit | Available | Available | Available |
| Fabric Grass Catcher | Available | Available | Available 48" & 52" Models Only |
| Metal Grass Catcher | N/A | Available | Available 45" & 52" Models Only |
| LED Light Kit | N/A | N/A | Available |
| Service Jack | N/A | N/A | Available |
| Professional Stripe Kit | N/A | Available Except on 36" Models | Available |
| Counter Weight Kit | N/A | Available | Available |
| Sulky | N/A | Available | Available |
| Laser-Edge Blade Sets | N/A | Available 48" Models Only | Available |

BLOWERS



FB1000



FB2000



FB3000

FB SERIES

Step up your turf clean up game with the Ferris line of stand-on blowers to ensure you leave behind clean, healthy lawns. Designed to provide maximum air flow and power for effective lawn clean up and debris management, the Hurricane™ signature patented Dual Air Flow System™ splits the air-stream for deep cleaning and blowing the debris to the desired distance.

▶ “What I like best is the time that it has saved us.”

- David, Milwaukee County Zoo, WI

2-YEAR LIMITED WARRANTY - STANDARD USE¹ + 1-YEAR LIMITED WARRANTY - RENTAL USE¹

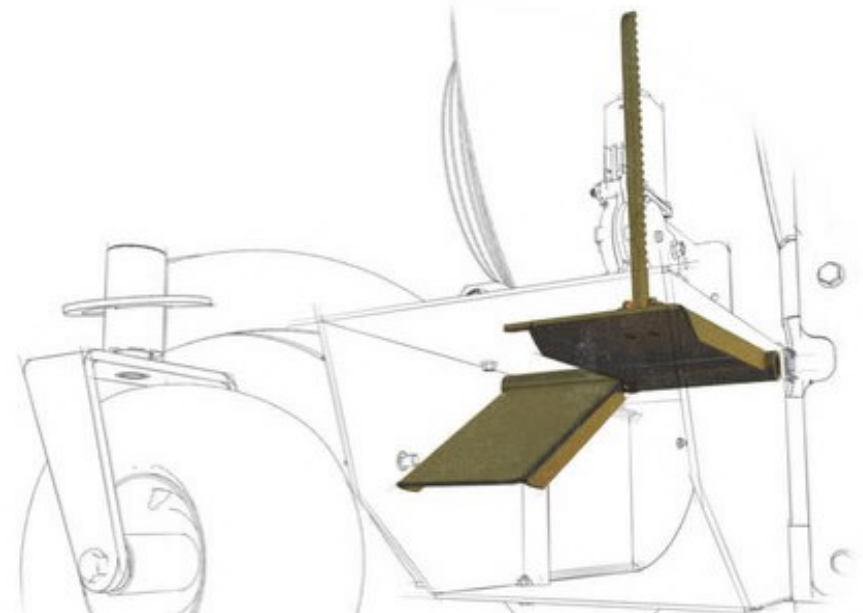


HURRICANE TECHNOLOGY

Ferris Hurricane stand-on blowers bring patented systems and a history of high-quality, time-saving equipment to an easy-to-use platform for powerful debris management. Whether it's for prepping surfaces to be paved, clearing a property of clippings, or blowing away a large number of leaves for fall, Ferris blowers are built to get the entire job done quickly and comfortably.

PATENTED DUAL DEFLECTOR AIRFLOW SYSTEM™

to split the air for optimal angle
and flow of cleaning



AIRFLOW SYSTEM

Fall leaf cleanup, grass clipping maintenance, or special job area management is a time-consuming job. Handheld and backpack blowers quickly hit their limits when you need to cover large areas or if the debris is piled high. Plus, they demand additional manual labor to get the job done effectively. Stand-on blowers provide you the efficiency and capability to get more done and get more money in your pocket.

Easily control the direction of airflow through left, right, or center (varies by model) air chutes for efficient cleaning

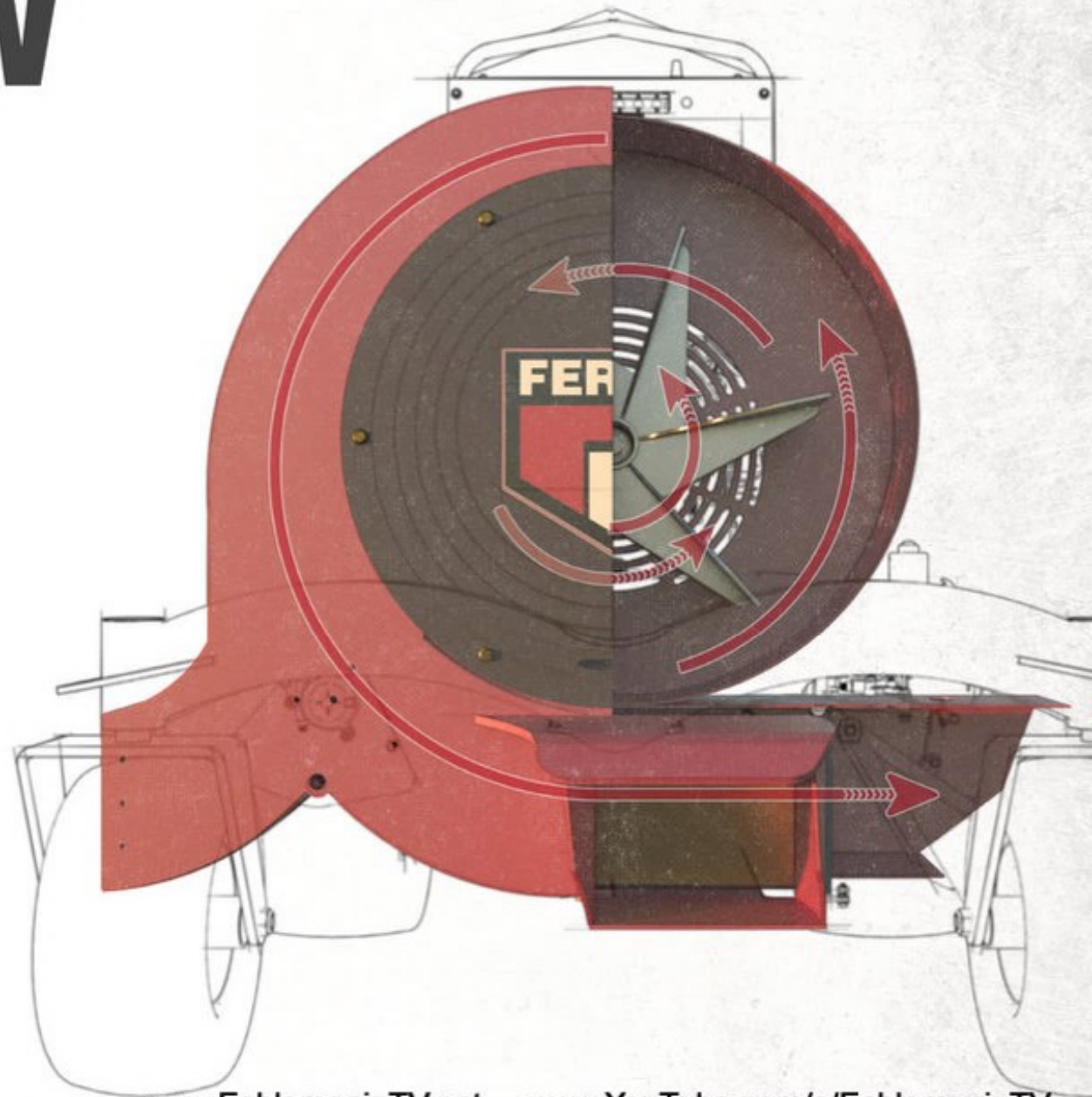
Air shut off on all chutes for non-disruptive travel from job to job

Integrated headlight for clear clean up (*select models*)

Zero turning radius for nimble control of the unit

Cushioned operator platform for sustained comfort

Built-in tie-downs for easy transportation





NEW!

FB1000 HURRICANE

The perfect addition to any growing lawn care fleet, the FB1000 Hurricane provides compact debris management without sacrificing air-blowing power. The 35.5-inch overall width makes it easy to navigate through gates and fit onto a trailer. A large impeller and air inlet delivers 3500 cfm of hands-free cleaning power.

3500 cfm
AIR FLOW

150+ mph
AIR SPEED

8 mph
GROUND SPEED

MODEL

5902012

ENGINE OPTIONS

Vanguard® V-Twin (18 hp*/570 cc)



▶ **PATENT PENDING FOOT CONTROL**

Keep your hands on the controls and maintain your productivity with the easy-to-use and patent pending foot-driven airflow control. Features left and right airflow.

▶ **COMPACT POWER**

The compact frame makes it easy to navigate jobs and still holds enough power with an 18 hp* Vanguard V-Twin engine and large impeller system.

Comfortable productivity

The fold-up operator platform is isolated from the bumps of the job through polymer platform bumpers.

Vanguard V-Twin engine

Delivering 18 hp* of reliable power, the Vanguard engine is built to last through the most demanding of jobs.

Convenient controls

Simple operator controls feature choke and throttle control, key-operated start, and ergonomic steering controls.

Confident traction

The 20" x 8" drive tires optimize stability and traction while the flat-free front caster tires deliver reliable control.

Adjustable air flow

Adjustable air outlets allow for the directed control of airflow to enhance the deep cleaning of debris.

Large, powerful impeller

The horizontal impeller and engine layout prevents clogging in heavy debris conditions while delivering 3500 cfm and 150+ mph of air cleaning power.

* Power levels are stated gross horsepower at 3600 rpm per SAE J1940 as rated by Briggs & Stratton.

FB2000 HURRICANE

The FB2000 Hurricane stand-on blower is designed for precise and effective debris management. With an airflow of 4500 cfm and air velocity of 165+ mph, fall leaf clean up and moving debris is easy. Air flow is changeable from the operator station with three directions - left, right and front making it easy to operate.

4500 cfm
AIR FLOW

165+ mph
AIR SPEED

8 mph
GROUND SPEED

MODEL

5901963

ENGINE OPTIONS

Vanguard® V-Twin (23 hp/627 cc)



▶ DUAL DEFLECTOR AIR FLOW SYSTEM™

The patented split left deflector system allows the operator to change the angle of the air flow to enhance the deep cleaning of debris.

▶ 4500 CFM AIR FLOW

Move debris quickly with powerful air flow and air speeds of 165+ mph.

Joystick deflector control

The joystick allows the operator full control of the air flow direction - forward, left and right. Pulling back on the joystick closes all deflectors for transport.

Quad Control Handle System™

This system provides automatic return to neutral, integrated operator presence, self-activating parking brake and travel direction control.

LED light in operator tower

Provide extra illumination when loading trailers or traveling at dusk.

Torsion-mounted front axle

Allows the wheels to remain in contact with the ground, improving traction on uneven terrain.

Product may vary from the image shown.

* Power levels are stated gross horsepower at 3600 rpm per SAE J1942 (includes Drive & Spillover).

FB3000 HURRICANE

The toughest debris-management jobs call for the FB3000 Hurricane, which is engineered for maximum airflow of 7500 cfm and air speed of 165+ mph. This unit features an innovative blower design which allows the FB3000 to pull air from both sides, increasing power and reducing noise.

7500 cfm
AIR FLOW

165+ mph
AIR SPEED

9 mph
GROUND SPEED

MODEL

5901962

ENGINE OPTIONS

Vanguard® V-Twin (35 hp*/993 cc)



▶ DUAL DEFLECTOR AIR FLOW SYSTEM

The patented split left deflector system allows the operator to change the angle of the air flow to enhance the deep cleaning of debris.

▶ 7500 CFM AIR FLOW

Move debris quickly with powerful air flow and air speeds of 165+ mph.

Joystick deflector control

The joystick allows the operator full control of the air flow direction – forward, left and right. Pulling back on the joystick closes all deflectors.

Quad Control Handle System™

This system provides automatic return to neutral, integrated operator presence, self-activating parking brake and travel direction control.

LED light in operator tower

Provide extra illumination when loading trailers or traveling at dusk.

Torsion-mounted front axle

Allows the wheels to remain in contact with the ground, improving traction on uneven terrain.

2-way air intake

Blower housing design pulls air from both sides for more power and less noise.

Product may vary from the image shown.

* Power levels are stated gross horsepower at 3600 rpm per SAE J1940 as rated by Briggs & Stratton.

www.EshlemaniaTV.net

www.YouTube.com/c/EshlemaniaTV

SPREADER



ROVER™



PATHFINDER™



VENTURE™



VOYAGER

FS SERIES

We take care of you, so you can take care of your customers. The Ferris line of spreaders and spreader/sprayers allows you to provide a personalized treatment for each of your clients. No more one size fits all application of granular and liquid chemicals. These ride-on spreader/sprayers give you the flexibility to treat each lawn with the mixture it needs.

1-YEAR LIMITED WARRANTY- STANDARD USE* + 90 DAY LIMITED WARRANTY - RENTAL USE*

/SPRAYERS



HEALTHY LAWNS MEAN HAPPY CUSTOMERS

Like sunshine and water, grass and soil need fertilizer and other treatments to stay as beautiful as possible. Proper lawn treatment ensures the grass gets essential nutrients like nitrogen, phosphorus and potassium to thrive. Treated lawns are healthier, look better, and are more enjoyable. As a total lawn care specialist, you cut the grass and enable it to succeed, which means a happier customer and a more significant bottom line for you.

▶ SO WHY CHOSE FERRIS?

DIVERSE SOLUTIONS

Ferris provides time-saving and feature-packed lawn treating solutions in a variety of sizes and capabilities.

THOUGHTFUL DESIGN

100% stainless steel frame resists corrosive granular and liquid chemicals for longer usable life, while the thoughtful components make for easy maintenance and simple material loading.

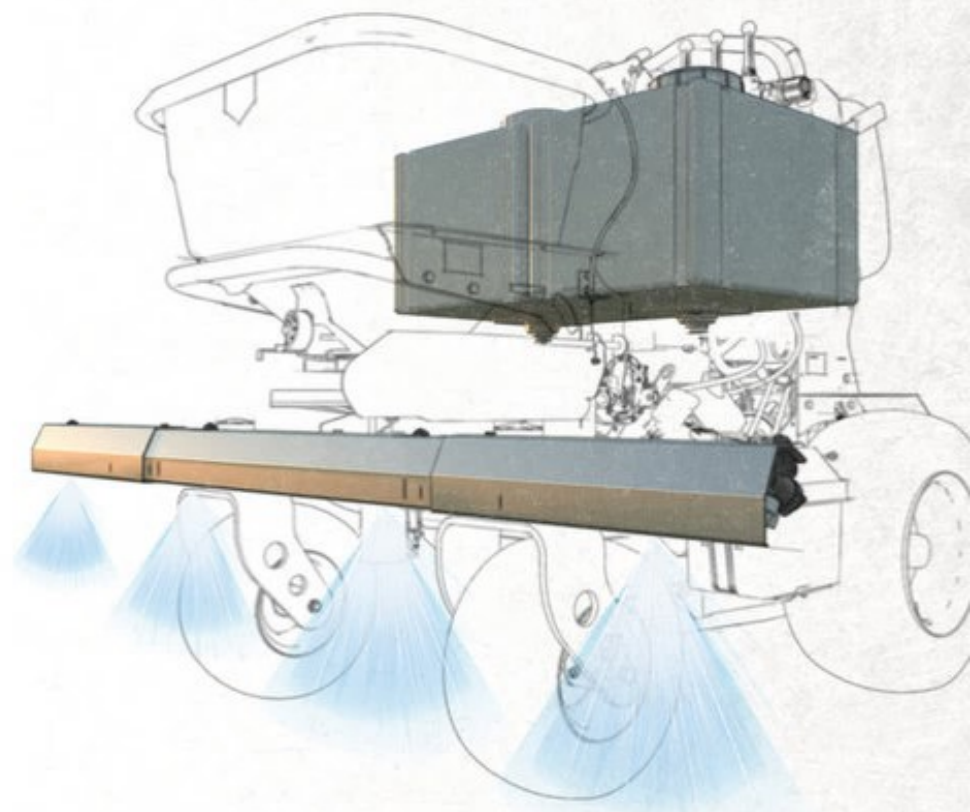
EXCELLENT MANEUVERABILITY

Empowered by our expertise in productive mowing, our turf care equipment is capable of navigating properties with ease with either a low-friction sulky or easy-to-use zero turn-like controls.



Ride-on spreaders make quick work of the granular application. The Ferris Rover and Rover XC can cover .6 and 1.2 acres, respectively, through their large material hopper. This material is then effortlessly and evenly applied to the lawn through the durable platter that spins with the machine's momentum.

SPREADERS



Combining granular spreading with efficient liquid application, stand-on spreader/sprayers are the best of both worlds. The Ferris Pathfinder, Venture, and Voyager provide increasing material capacity and coverage, providing unique options for the jobs at hand. The durable stainless steel sprayer booms offer reliable and consistent liquid application, while the sulky or zero turn-like drive style gives confident control.

SPREADER/SPRAYERS



PROUD TO DELIVER.

All Ferris products are made in
the USA with global materials.

ROVER

The Rover FS1100 and Rover XC FS1200 are rugged ride-on spreaders with a 35.5" frame for easy access through gates and other tight spots. The Rover series is designed for granular applications with components that resist the corrosive effects of these chemicals. A low center of gravity provides excellent performance on sloped terrain.

Rover FS1100

▶ COVERAGE



.6
Acres

Rover XC FS1200

▶ COVERAGE



1.2
Acres



| MODEL | ENGINE OPTIONS | CAPACITY |
|--------------|-----------------------------|-------------------|
| 5901999 | Vanguard® 160 (5 hp/169 cc) | 100 lbs. granular |
| 5902000 (XC) | Vanguard® 160 (5 hp/169 cc) | 200 lbs. granular |

▶ SPYKER HOPPER

Rover FS1100 has 100 lbs. granular capacity and Rover XC FS1200 has 200 lbs. granular capacity

▶ ERGONOMIC CONTROLS

Dry pattern and throttle on the right; pattern deflector and gate control on the left

Coated transmission for corrosion resistance

Peerless 855 gear drive, with two speeds forward (3.5 or 5 mph) plus reverse

100% stainless steel frame

Resists corrosion from the granular and liquid chemicals distributed by the unit

Low friction sulky

Low friction pivot point with 3/4" tapered roller bearings for smooth turning

18" turf-friendly front tires

18" x 9.5 - 8, RV antifreeze added for ballast and traction

Ground speeds up to 5 mph

Speeds up to 3.5 mph in low gear

Centrally located fuel tank

Fuel capacity of 0.82 gallons of unleaded gasoline

* Power levels are stated gross horsepower at 3600 rpm per SAE J1940 as rated by Briggs & Stratton.

PATHFINDER

The Pathfinder FS2100 and Pathfinder XC FS2200 ride-on spreader/sprayers release dry and liquid material with a spray system that has settings for both trim and broadcast applications. The steel frame and Peerless transaxle resist corrosive chemicals for longevity and durability, and a 35.5" width means easy access through tight areas like gates.



Pathfinder FS2100



Pathfinder XC FS2200



| MODEL | ENGINE OPTIONS | CAPACITY | SPRAY |
|--------------|------------------------------------|-------------------|---------|
| 5901752 | Honda® GX200-URH2 (5.8' hp/196 cc) | 100 lbs. granular | 12 gal. |
| 5901753 (XC) | Honda® GX200-URH2 (5.8' hp/196 cc) | 200 lbs. granular | 16 gal. |

▶ SPYKER HOPPER

Pathfinder FS2100 has 100 lbs. granular capacity and Pathfinder XC FS2200 has 200 lbs. granular capacity

▶ HIGH LIQUID SPRAY CAPACITY

Pathfinder FS2100 has 12 gallons of liquid capacity and Pathfinder XC FS2200 has 16 gallons of liquid capacity

Coated transmission for corrosion resistance

Peerless 855 gear drive with two speeds forward (3.5 or 5 mph) plus reverse

100% stainless steel frame

Resists corrosion from the granular and liquid chemicals distributed by the unit

Low friction sulky

Low friction pivot point with 3/4" tapered roller bearings for smooth turning

18" turf-friendly front tires

18" x 9.5 - 8, RV antifreeze added for ballast and traction

Ground speeds up to 5 mph

Speeds up to 3.5 mph in low gear

Fuel capacity of 2.5 gallons of unleaded gasoline

Centrally located fuel tank

VENTURE

You can't beat the efficiency of a zero turn ride-on sprayer/spreader. The Venture FS3100 and Venture XC FS3200 have a variable spray system with four spray widths plus a spray wand ideal for a variety of applications. Dual liquid spray tanks provide up to 2.2 acres of coverage and a stainless steel frame resists corrosive chemicals for added life.

Venture FS3100



Venture XC FS3200



| MODEL | ENGINE OPTIONS | CAPACITY | SPRAY |
|--------------|-----------------------------------|-------------------|---------|
| 5901754 | Vanguard® V-Twin (18 hp*/ 570 cc) | 100 lbs. granular | 24 gal. |
| 5901755 (XC) | Vanguard® V-Twin (18 hp*/ 570 cc) | 200 lbs. granular | 24 gal. |

▶ SPYKER HOPPER

Venture FS3100 has 100 lbs. granular capacity and Venture XC FS3200 has 200 lbs. granular capacity.

▶ 24 GALLONS OF SPRAY CAPACITY

Twin 12 gallon tanks on both models

3-section breakaway boom

Boom arms fold in for access through gates and trailers

Hydro-Gear ZT-3100 transaxles

Dual-commercial transaxles with 7" cooling fans to repel debris

100% stainless steel frame

Resists corrosion from the granular and liquid chemicals distributed by the unit

Zero turn maneuverability

Maneuver in tight areas with zero turn functionality provided by Hydro-Gear transaxles

20" turf-friendly rear tires

Ground speeds up to 8 mph

Fuel capacity of 2.5 gallons of unleaded gasoline

Centrally located fuel tank

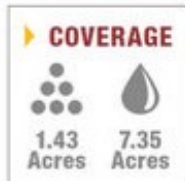
* Power levels are stated gross horsepower at 3600 rpm per SAE J1940 as rated by Briggs & Stratton.



VOYAGER

FS5250

High capacity, productivity, and profits. The Voyager FS5250 is the ultimate spreader/sprayer with industry-leading capacity including an innovative hopper that increase productivity by 20%. The pivoting front axle and low center of gravity provide superior handling on slopes, so crews spend more time on the unit than treating areas on foot.



| MODEL | ENGINE OPTIONS | CAPACITY | SPRAY |
|---------|----------------------------------|-------------------|---------|
| 5901756 | Vanguard® V-Twin (23 hp/ 627 cc) | 250 lbs. granular | 80 gal. |

▶ **3-SECTION BREAKAWAY BOOM WITH 12' SPRAY COVERAGE**

Two outward folding boom sections can be released by the operator and have bi-directional breakaway

▶ **INDUSTRY-LEADING CAPACITY**

Gain 200,000 sq. ft. of coverage per day over other units with capacities of 80 gal. of liquid, 250 lbs. of granular and molded side pockets carry an additional 100 lbs. of granular material

Six independently-supplied spray nozzles

Provides consistent spray tip volume and eliminates spikes and unequal tip pressure during operation

Robust drive system with zero turn maneuverability

16cc tandem pump and 475cc Parker wheel motors

100% stainless steel frame

Resists corrosion from the granular and liquid chemicals distributed by the unit

Iso-mounted operator platform

Cushions uneven terrain for a more comfortable operator experience

75' hose reel

Hose and spray wand allows the ability to treat hard to reach areas on foot

Direct coupled transmission and engine

Transmission direct coupled to engine eliminates the need for servicing a belt

Available accessories:

2 gal. foam marker, 7 gal. iso tank, headlight, spray boom light

SPECIFICATIONS

F SERIES

| F60 | |
|--|---|
| Part #: | 5901895 |
| Engine Brand | Kawasaki® FX600V |
| Power Rating (hp) | 19** |
| Displacement (cc) | 603 |
| PTO | Electric |
| Cylinders | 2 |
| Starter | Electric |
| Oil Guard™ System | N/A |
| Fuel Tank Capacity (gal) | 8 |
| MOWER DECK | |
| Cutting Width (in) | 36 |
| Cutting Height (in) | 1.5 - 4.5 |
| Spindles | Aluminum grassable |
| Deck Construction | Fabricated 10-gauge |
| SUSPENSION & DRIVE TRAIN | |
| Transmission | Dual commercial Hydro-Gear® ZT-3100* transaxles with 7" cooling fans |
| Drive Axles (in) | 1 |
| Caster Tires (in) | 11 x 4 - 5 Flat-free |
| Drive Tires (in) | 20 x 7 - 10 |
| SPEED | |
| Speeds-Fwd (mph) | 0 - 7 |
| Speeds-Rev (mph) | 0 - 4 |
| DIMENSIONS | |
| Overall Length (in) | 73.75 |
| Overall Width (in) Deflector Down / Up | 49.5 / 40.5 |
| Dry Weight (lbs) | 732 |
| OPERATOR SYSTEMS | |
| Seat Package | Mid-back seat with arm rests |
| Instrumentation | Fuel level gauge in each tank, dual-function hour meter |
| ROPS | N/A |
| Controls / Safety Group | Seat activated engine kill, clutch safety switch, neutral and parking brake safety circuit, adjustable twin steering controls |
| Parking Brake / Safety Circuit | Hand-operated internal transaxle brake |
| WARRANTY | |
| Engine | 3-Year limited manufacturer's warranty † |
| Balance of Machine | 4-Year limited warranty (48 months) or 500 hours, whichever occurs first. Unlimited hours during the first 2 years (24 months). Coverage on other components varies, please see operator's manual for complete details. † |

S SERIES

► Indicates Model Upgrade/Increase

| 500S | | | | |
|--|---|--|------------------|--------------------------------------|
| Part #: | 5902051 | 5902052 | 5902056 | 5902053 |
| Engine Brand | Briggs & Stratton® Commercial Series | Briggs & Stratton® Commercial Series | Kawasaki® FR730V | Briggs & Stratton® Commercial Series |
| Power Rating (hp) | 25* | 25* | 24* | 25* |
| Displacement (cc) | 724 | 724 | 726 | 724 |
| PTO | Electric | | | |
| Cylinders | 2 | | | |
| Starter | Electric | | | |
| Oil Guard™ System | N/A | | | |
| Fuel Tank Capacity (gal) | 3 | | | |
| MOWER DECK | | | | |
| Cutting Width (in) | 48 | 52 | 61 | |
| Cutting Height (in) | 1.5 - 4.5 | | | |
| Spindles | Aluminum grassable | | | |
| Deck Construction | Fabricated 10-gauge | | | |
| SUSPENSION & DRIVE TRAIN | | | | |
| Transmission | Dual Hydro-Gear® ZT-2800* | Dual commercial Hydro-Gear® ZT-3100* transaxles with 7" cooling fans | | |
| Drive Axles (in) | 1 | | | |
| Caster Tires (in) | 13 X 6.5 - 6 | | | |
| Drive Tires (in) | 22 x 10 - 10 | 22 X 11 - 10 | | |
| SPEED | | | | |
| Speeds-Fwd (mph) | 0 - 8.5 | | | |
| Speeds-Rev (mph) | 0 - 4 | | | |
| DIMENSIONS | | | | |
| Overall Length (in) | 78.5 | | 80 | |
| Overall Width (in) Deflector Down / Up | 53 | 64 | 74 | |
| Dry Weight (lbs) | 765 | 855 | 860 | |
| OPERATOR SYSTEMS | | | | |
| Seat Package | Mid-back seat with arm rests | | | |
| Instrumentation | Dual-function hour meter, fuel level gauge in tank | | | |
| ROPS | N/A | | | |
| Controls / Safety Group | Adjustable twin fold out 1" tubular steering levers with comfort grip | | | |
| Parking Brake / Safety Circuit | Hand-operated internal transaxle brake | | | |
| WARRANTY | | | | |
| Engine | 3-Year limited manufacturer's warranty † | | | |
| Balance of Machine | Consumer Warranty (Product), 3-Years / Commercial Warranty (Product), 90-Days / Fabricated Mower Deck Warranty, Lifetime† | | | |

* Power levels are stated gross horsepower at 3600 rpm per SAE J1940 as rated by Briggs & Stratton.

SPECIFICATIONS

IS SERIES

► Indicates Model Upgrade/Increase

| Part #: | IS [®] 600 | | | | IS [®] 700 | |
|--|---|--|------------------------------|--|---|---------|
| | 5901908 | 5901907 | 5901911 | 5901906 | 5901920 | 5901919 |
| Engine Brand | Kawasaki [®] FS600V | Briggs & Stratton [®] Commercial Series | Kawasaki [®] FS691V | Briggs & Stratton [®] Commercial Series | Briggs & Stratton [®] Commercial Series | |
| Power Rating (hp) | 18.5** | ► 25* | 23** | ► 25* | 27* | |
| Displacement (cc) | 603 | ► 724 | ► 726 | 724 | 810 | |
| PTO | Electric | | | | Electric | |
| Cylinders | 2 | | | | 2 | |
| Starter | Electric | | | | Electric | |
| Oil Guard™ System | N/A | | | | N/A | |
| Fuel Tank Capacity (gal) | 5.5 | | | | 5.5 | |
| MOWER DECK | | | | | | |
| Cutting Width (in.) | 48 | ► 52 | | 52 | ► 61 | |
| Cutting Height (in.) | 1.5 - 4.5 | | | | 1.5 - 5 | |
| Spindles | Aluminum greasable | | | | Aluminum greasable | |
| Deck Construction | 10-gauge fabricated | | | | ICD™ Cutting System | |
| SUSPENSION & DRIVE TRAIN | | | | | | |
| Suspension | Adjustable front and rear coil-over shocks with pivoting front axle and a rear swing-arm with large adjustable coil-over shocks | | | | Adjustable front and rear coil-over shocks with pivoting front axle and a rear swing-arm with large adjustable coil-over shocks | |
| Transmission | Dual commercial Hydro-Gear [®] ZT-3200™ transaxles with 7" cooling fans | | | | Dual, commercial Hydro-Gear [®] ZT-3200™ transaxles with 7" cooling fans | |
| Drive Axles (in) | 1.125 | | | | 1.125 | |
| Caster Tires (in) | 13 x 6.5 - 6 | | | | 13 x 6.5 - 6 | |
| Drive Tires (in) | 22 x 11 - 10 | | | | 22 x 11 - 10 | |
| SPEED | | | | | | |
| Speeds-Fwd (mph) | 0-10 | | | | 0-10 | |
| Speeds-Rev (mph) | 0-5 | | | | 0-5 | |
| DIMENSIONS | | | | | | |
| Overall Length (in) | 80 | | | | 81 | |
| Overall Width (in) Deflector Down / Up | 63 / 51 | 66.75 / 56.5 | | 66.75 / 56.5 | 75.75 / 65.5 | |
| Dry Weight (lbs) | 942 | 964 | | 1059 | 1113 | |
| OPERATOR SYSTEMS | | | | | | |
| Seat Package | Mid-back seat with arm rests | | | | Mid-back suspension seat with arm rests | |
| ROPS | 180° foldable | | | | 180° foldable | |
| Instrumentation | Dual-function hour meter, fuel level gauge in tank | | | | Dual-function hour meter, fuel level gauge in tank | |
| Controls / Safety Group | Adjustable twin fold out 1" tubular steering levers with comfort grip | | | | Seat activated engine kill, clutch safety switch, neutral and parking brake safety circuit/adjustable twin steering controls | |
| Parking Brake / Safety Circuit | Hand-operated internal transaxle brake | | | | Hand-operated internal transaxle brake | |
| WARRANTY | | | | | | |
| Engine | 3-Year limited manufacturer's warranty [†] | | | | 3-Year limited manufacturer's warranty [†] | |
| Balance of Machine | 4-Year limited warranty (48 months) or 500 hours, whichever occurs first. Unlimited hours during the first 2 years (24 months). Coil-over shocks and all suspension related components are covered for 5 years (60 months) unlimited hours. Belts, tires, brake pads, battery, blades: 90 days. | | | | | |

* Power levels are stated gross horsepower at 3600 rpm per SAE J1940 as rated by Briggs & Stratton.

** All power levels are stated gross horsepower per SAE J3723 as rated by Kawasaki.

† See operator's manual or terramowers.com for complete warranty details.

SPECIFICATIONS

ISX SERIES

► Indicates Model Upgrade/Increase

| Part #: | ISX™ 800 | | | | | | ISX™ 2200 | | | | | | |
|--|---|--------------------------------------|------------------|------------------------|--------------------------------------|--|--|---|--|---|--|---|----|
| | 5902018 | 5902023 | 5902019 | 5902022 | 5902024 | 5902017 | 5902025 | 5902027 | 5901924 | 5902026 | 5902028 | 5901923 | |
| Engine Brand | Kawasaki® FT730V | Briggs & Stratton® Commercial Series | Kawasaki® FT730V | Kawasaki® FT730V - EFI | Briggs & Stratton® Commercial Series | Briggs & Stratton® Commercial Series - EFI ETC | Kawasaki® FX801V | Kawasaki® FT730V EFI | Vanguard® 810cc EFI with Oil Guard™ | Kawasaki® FX801V | Kawasaki® FT730V EFI | Vanguard® 810cc EFI with Oil Guard™ | |
| Power Rating (hp) | 24** | 27* | 24** | 26** | 27* | 27* | 25.5** | 26** | 26** | 25.5* | 26** | 28* | |
| Displacement (cc) | 726 | 810 | 726 | 726 | 810 | 810 | 852 | 726 | 810 | 852 | 726 | 810 | |
| PTO | Electric | | | | | | Electric | | | | | | |
| Cylinders | 2 | | | | | | 2 | | | | | | |
| Starter | Electric | | | | | | Electric | | | | | | |
| Oil Guard™ System | N/A | | | | | | N/A | ► | Standard | N/A | ► | Standard | |
| Fuel Tank Capacity (gal) | 5.5 | | | | | | 11 | | | | | | |
| MOWER DECK | | | | | | | | | | | | | |
| Cutting Width (in.) | 52 | ► | 61 | | | 52 | | | | | | ► | 61 |
| Cutting Height (in.) | 1.5 - 5 | | | | | | 1.5 - 5 | | | | | | |
| Spindles | Aluminum greasable | | | | | | 8" Cast-iron greasable | | | | | | |
| Deck Construction | ICD™ Cutting System, 2-belt | | | | | | ICD™ Cutting System, 2-belt | | | | | | |
| SUSPENSION & DRIVE TRAIN | | | | | | | | | | | | | |
| Suspension | ForeFront™ Suspension System - Front independent with four cast-iron control rods paired with medium size adjustable coil-over shocks and a rear swing-arm with large adjustable coil-over shocks | | | | | | ForeFront™ Suspension System - Front independent with four control rods paired with large size adjustable coil-over shocks and a rear swing with large adjustable coil-over shocks | | | | | | |
| Transmission | Dual, commercial Hydro-Gear® ZT-3400* transaxles with 7" cooling fans | | | | | | Dual, commercial Hydro-Gear® ZT-4400** transaxles with 8.3" cooling fans | | | | | | |
| Drive Axles (in) | 1.125 | | | | | | 1.375 | | | | | | |
| Caster Tires (in) | 13 x 6.5 - 6 | | | | | | 13 x 6.5 - 6 | | | | | | |
| Drive Tires (in) | 23 x 10.5 - 12 | | | | | | 24 x 9.5 - 12 | | | 24 x 12 - 12 | | | |
| SPEED | | | | | | | | | | | | | |
| Speeds-Fwd (mph) | 0 - 10 | | | | | | 0 - 10 | | | | | | |
| Speeds-Rev (mph) | 0 - 5 | | | | | | 0 - 5 | | | | | | |
| DIMENSIONS | | | | | | | | | | | | | |
| Overall Length (in) | 81 | 83 | | | | 82.5 | | | | | | | |
| Overall Width (in) Deflector Down / Up | 65 / 57 | 75 / 63.5 | | | | 67 / 57 | | | 78 / 61.5 | | | | |
| Dry Weight (lbs) | 1119 | 1197 | | | | 1223 | 1295 | 1319 | 1295 | 1398 | | | |
| OPERATOR SYSTEMS | | | | | | | | | | | | | |
| Seat Package | Mid-back suspension seat with arm rests | | | | | | Premium high-back suspension seat with arm rests, adjustable lumbar and back recline | Sport mid-back suspension seat with arm rests | Premium high-back suspension seat with arm rests, adjustable lumbar and back recline | Sport mid-back suspension seat with arm rests | Premium high-back suspension seat with arm rests, adjustable lumbar and back recline | Sport mid-back suspension seat with arm rests | |
| ROPS | 160° foldable | | | | | | 160° foldable | | | | | | |
| Instrumentation | Dual-function hour meter, fuel level gauge in tank | | | | | | Dual-function hour meter, fuel level gauge in each tank | | | | | | |
| Controls / Safety Group | Seat activated engine kill, clutch safety switch, neutral and parking brake safety circuit/adjustable twin steering controls | | | | | | Seat activated engine kill, clutch safety switch, neutral and parking brake safety circuit/adjustable twin steering controls | | | | | | |
| Parking Brake / Safety Circuit | Hand-operated internal transaxle brake | | | | | | Hand-operated internal transaxle brake | | | | | | |
| WARRANTY | | | | | | | | | | | | | |
| Engine | 3-Year limited manufacturer's warranty* | | | | | | | | | | | | |
| Balance of Machine | 4-Year limited warranty (48 months) or 500 hours, whichever occurs first. Unlimited hours during the first 2 years (24 months). Coil-over shocks and all suspension related components are covered for 5 years (60 months) unlimited hours. Belts, tires, brake pads, battery, blades: 90 days. | | | | | | | | | | | | |

SPECIFICATIONS

ISX SERIES

► Indicates Model Upgrade/Increase

IS DIESEL SERIES

| ISX™ 3300 | | | | | | | |
|--|----------------------|-----------------------|--|----------------------|-----------------------|--|------------|
| 5902033 | 5902034 | 5902031 | 5901881 | 5902035 | 5902032 | 5901872 | |
| Kawasaki® FX92IV | Vanguard® BIG BLOCK™ | Kawasaki® FX1000V EFI | Vanguard® BIG BLOCK™ EFI-ETC with Oil Guard™ | Vanguard® BIG BLOCK™ | Kawasaki® FX1000V EFI | Vanguard® BIG BLOCK™ EFI-ETC with Oil Guard™ | |
| 31** | ▶ 36* | ▶ 38.5** | ▶ 40* | ▶ 36* | ▶ 38.5** | ▶ 40* | |
| 999 | ▶ 993 | ▶ 999 | ▶ 993 | ▶ 993 | ▶ 999 | ▶ 993 | |
| Electric | | | | | | | |
| 2 | | | | | | | |
| Electric | | | | | | | |
| N/A | | | ▶ Standard | N/A | | | ▶ Standard |
| 11 | | | | | | | |
| 61 | | | | ▶ 72 | | | |
| 1.5 - 5 | | | | | | | |
| Hercules™ II Spindles greasable | | | Hercules™ II Cast-iron greasable | | | | |
| ICD™ Cutting System, 2-belt | | | | | | | |
| ForeFront™ Suspension System - Front independent with four control rods paired with large size adjustable coil-over shocks and a rear swing with large adjustable coil-over shocks | | | | | | | |
| Dual commercial Hydro-Gear® ZT-5400 Powertrain® transaxles with 9" cooling fans | | | | | | | |
| 1.375 | | | | | | | |
| 13 x 6.5 - 6 | | 13 x 6.5-6, Flat Free | | 13 x 6.5 - 6 | | 13 x 6.5-6, Flat Free | |
| 26 x 12 - 12 | | | | | | | |
| 0-12 | | | | | | | |
| 0-6 | | | | | | | |
| 84.5 | | | | | | | |
| 77 / 66.5 | | | 86 / 74 | | | | |
| 1470 | | 1608 | | 1579 | | 1717 | |
| Premium high-back suspension seat with arm rests, multi-position head rest, adjustable lumbar and back recline | | | | | | | |
| 150° foldable | | | | | | | |
| Dual-function hour meter, fuel level gauge in each tank | | | | | | | |
| Seat activated engine kill, clutch safety switch, neutral and parking brake safety circuit/adjustable twin steering controls | | | | | | | |
| Hand-operated internal transaxle brake | | | | | | | |
| 3-Year limited manufacturer's warranty † | | | | | | | |

| | IS® 2600 | IS® 6200 |
|--|---|--|
| Part #: | 5901929 | 5901849 |
| Engine Brand | Yanmar™ diesel | CAI™ Turbo diesel |
| Power Rating (hp) | 24 [†] | 48 [†] |
| Displacement (cc) | 904 | 1700 |
| PTO | Electric | Electric, 450 ft lbs |
| Cylinders | 3 | 3 |
| Starter | Electric | Electric |
| Oil Guard™ System | N/A | N/A |
| Fuel Tank Capacity (gal) | 11 | 15 |
| MOWER DECK | | |
| Cutting Width (in.) | 61 | 72 |
| Cutting Height (in.) | 1.75 - 5 | 1.5 - 6 |
| Spindles | 8" Cast-iron greasable | Hercules™ II Cast-iron greasable |
| Deck Construction | ICD™ Cutting System | ICD™ Cutting System, 2-belt |
| SUSPENSION & DRIVE TRAIN | | |
| Suspension | Independent front control arms with large adjustable coil-over shocks and a rear swing arm with large adjustable coil-over shocks | Independent front and rear suspension, featuring adjustable large coil-over shock. |
| Transmission | Dual commercial Hydro-Gear® ZT-4400™ transaxles with 6.2" cooling fans | Dual 21cc hydro pumps 20.8 cu in wheel motors with external oil cooler |
| Drive Axles (in) | 1.375 | 1.25 tapered |
| Caster Tires (in) | 13 x 6.5 - 6 | 13 x 6.5 - 6 |
| Drive Tires (in) | 24 x 12 - 12 | 26 x 12 - 12 |
| SPEED | | |
| Speeds-Fwd (mph) | 0 - 10 | 0 - 12 |
| Speeds-Rev (mph) | 0 - 6 | 0 - 6 |
| DIMENSIONS | | |
| Overall Length (in) | 86.25 | 89.66 |
| Overall Width (in) Deflector Down / Up | 76.75 / 63.5 | 86 / 73.5 |
| Dry Weight (lbs) | 1606 | 2518 |
| OPERATOR SYSTEMS | | |
| Seat Package | Premium high-back with arm rests | Premium high-back suspension seat with arm rests |
| ROPS | 180° foldable | 105° foldable |
| Instrumentation | Dual-function hour meter, fuel level gauge in each tank | Digital display |
| Controls / Safety Group | Seat activated engine kill, clutch safety switch, neutral and parking brake safety circuit/adjustable twin steering controls | |
| Parking Brake / Safety Circuit | Hand operated internal transaxle brake | Hand-operated external drum type |
| WARRANTY | | |
| Engine | 2-Year limited manufacturer's warranty † | |
| Balance of Machine | 4-Year limited warranty (48 months) or 500 hours, whichever occurs first. Unlimited hours during the first 2 years (24 months). Coil-over shocks and all suspension related components are covered for 5 years (60 months) unlimited hours. Belts, tires, brake pads, battery, blades: 90 days. | |

4-Year limited warranty (48 months) or 500 hours, whichever occurs first. Unlimited hours during the first 2 years (24 months). Coil-over shocks and all suspension related components are covered for 5 years (60 months) unlimited hours. Belts, tires, brake pads, battery, blades: 90 days.

* All power levels are stated gross horsepower at 3600 RPM per SAE J1940 as rated by Briggs & Stratton.
** All power levels are stated gross horsepower per SAE J2723 as rated by Kawasaki.

† See operator's manual or dealer for complete warranty details. Refer to engine operator's manual for engine warranty.

† Power rated by engine manufacturer.

www.EshlemaniaTV.net

www.YouTube.com/c/EshlemaniaTV

SPECIFICATIONS

SRS SERIES

► Indicates Model Upgrade/Increase

| | SRS Z1 | | | | SRS Z2 | | | | SRS Z2X | | | | |
|--|--|---------------|---------------------|---------------|---|------------------|-----------------------------------|-----------------------------------|--|--|--|--|------------|
| Part #: | 5901939 | 5901941 | 5901940 | 5901942 | 5902050 | 5901947 | 5901948 | 5901949 | 5901955 | 5901957 | 5901951 | 5901953 | |
| Engine Brand | Kawasaki® FX600V | Vanguard® 810 | Kawasaki® FX691V | Vanguard® 810 | Kawasaki® FT730V | Kawasaki® FX801V | Vanguard® 810 EFI with Oil Guard™ | Vanguard® 810 EFI with Oil Guard™ | Kawasaki® FX850V | Vanguard® BIG BLOCK™ EFI with Oil Guard™ | Vanguard® BIG BLOCK™ EFI with Oil Guard™ | Vanguard® BIG BLOCK™ EFI with Oil Guard™ | |
| Power Rating (hp) | 19** | 23* | 22** | 23* | 24** | 25.5** | 28* | 28* | 27* | 37* | 37* | 37* | |
| Displacement (cc) | 603 | 627 | 726 | 627 | 726 | 852 | 810 | 810 | 852 | 993 | 993 | 993 | |
| PTO | Electric | | | | Electric | | | | Electric | | | | |
| Cylinders | 2 | | | | 2 | | | | 2 | | | | |
| Starter | Electric | | | | Electric | | | | Electric | | | | |
| Oil Guard™ System | N/A | | | | N/A | | Standard | | N/A | | Standard | | |
| Fuel Tank Capacity (gal) | 6 | | | | 8 | | | | 11 | | | | |
| MOWER DECK | | | | | | | | | | | | | |
| Cutting Width (in.) | 36 | | 48 | | 52 | | | 61 | | 52 | | 61 | 72 |
| Cutting Height (in.) | 1.75 - 4.5 | | | | 1.75 - 5 | | | | 1.75 - 5 | | | | |
| Deck Construction | 10-gauge, fabricated | | ICD™ Cutting System | | ICD™ Cutting System | | | | ICD™ Cutting System | | | | |
| Spindles | Aluminum greaseable | | | | Aluminum greaseable | | | Cast-iron | | 8" Cast-iron greaseable | | | |
| SUSPENSION & DRIVE TRAIN | | | | | | | | | | | | | |
| Suspension | Adjustable coil-over shock; Operator Suspension Platform | | | | Adjustable coil-over shock; Operator Suspension Platform | | | | Adjustable coil-over shock; Operator Suspension Platform | | | | |
| Transmission | Hydro-Gear® ZT-3400™ transaxles with 7" cooling fans | | | | Dual, commercial Hydro-Gear® ZT-3800™ transaxles with 7" cooling fans and oil coolers | | | | Dual commercial Hydro-Gear® ZT-4400™ transaxles with 8" cooling fans | | | | |
| Drive Axles (in.) | 1.125 | | | | 1.125 | | | | 1.375 | | | | |
| Drive Tires (in.) | 23 x 8.5 - 12 | | 23 x 10.5 - 12 | | 23 x 10.5 - 12 | | | | 24 x 9.5 - 12 | | 24 x 12-12 | | |
| Caster Tires (in.) | 11 x 4 - 5, Flat-free | | | | 13 x 5 - 6, Flat-free | | | | 13 x 6.5 - 6, Flat-free | | | | |
| SPEED | | | | | | | | | | | | | |
| Speeds-Fwd (mph) | 0 - 8 | | | | 0 - 10 | | | | 0 - 12 | | | | |
| Speeds-Rev (mph) | 0 - 4 | | | | 0 - 5 | | | | 0 - 5 | | | | |
| DIMENSIONS | | | | | | | | | | | | | |
| Overall Length (in.) | 63.75 | | 65 | | 67 | | | 72.75 | | 69 | | 73.75 | 74.5 |
| Overall Width (in) Deflector Down / Up | 49 / 42 | | 58.5 / 54 | | 65 / 54.75 | | | 77 / 64 | | 85 / 54.5 | | 75.25 / 67 | 85.25 / 77 |
| Dry Weight (lbs.) | 813 | | 866 | | 938 | | | 998 | | 1184 | | 1267 | 1327 |
| OPERATOR SYSTEMS | | | | | | | | | | | | | |
| Seat Package | N/A | | | | N/A | | | | N/A | | | | |
| ROPS | N/A | | | | N/A | | | | N/A | | | | |
| Instrumentation | Dual-function hour meter, fuel level gauge | | | | | | | | | | | | |
| Safety Group / Controls | Operator presence in platform, parking brake safety circuit for starting engine, automatic PTO restart | | | | | | | | | | | | |
| Parking Brake | Hand-operated internal transaxle brake | | | | | | | | | | | | |
| WARRANTY | | | | | | | | | | | | | |
| Engine | 3-Year limited manufacturer's warranty* | | | | | | | | | | | | |
| Balance of Machine | 4-Year limited warranty (60 months) or 500 hours, whichever occurs first. Unlimited hours during the first 2 years (24 months). Coil-over shocks and all suspension related components are covered for 5 years (60 months) unlimited hours. Transaxles are covered for 3 years (36 months). Coverage on other components varies, please see operator's manual for complete details.* | | | | | | | | | | | | |

* Power levels are stated gross horsepower at 3600 rpm per SAE J1940 as rated by Briggs & Stratton.

SPECIFICATIONS

PROGUT SERIES

| ProCut™ S | |
|--|--|
| Part #: | 5900533 w/ 5900632 5901279 w/ 5900632 |
| Engine Brand | Kawasaki® FS730V Briggs & Stratton® Commercial Series |
| Power Rating (hp) | 24** 27* |
| Displacement (cc) | 726 810 |
| PTO | Electric |
| Cylinders | 2 |
| Starter | Electric |
| Fuel Tank Capacity (gal) | 5.5 |
| MOWER DECK | |
| Cutting Width (in) | 61 |
| Cutting Height (in) | 1.5 - 5 |
| Spindles | Aluminum greaseable |
| Deck Construction | Fabricated 10-gauge |
| SUSPENSION & DRIVE TRAIN | |
| Suspension | Rear wheel with adjustable coil-over shock |
| Transmission | Hydro pump and wheel motors with 7" cooling fans |
| Drive Axles (in) | 1.25 |
| Caster Tires (in) | 18 x 7.5 (steering); 11 x 4 (front) |
| Drive Tires (in) | 22 x 10 - 10 |
| SPEED | |
| Speeds-Fwd (mph) | 0 - 8 |
| Speeds-Rev (mph) | 0 - 4 |
| DIMENSIONS | |
| Overall Length (in) | 115 |
| Overall Width (in) Deflector Down / Up | 73 / 61.5 |
| Dry Weight (lbs) | 1100 |
| OPERATOR SYSTEMS | |
| Seat Package | Premium mid-back seat with arm rests |
| Instrumentation | Hour meter |
| ROPS | N/A |
| Controls / Safety Group | Single foot pedal speed control, Foot-actuated operator presence, Blade/clutch safety switch/yoke steering control |
| Parking Brake / Safety Circuit | Drum |
| WARRANTY | |
| Engine | 3-Year limited manufacturer's warranty [†] |
| Balance of Machine | 4-Year limited warranty (48 months) or 500 hours, whichever occurs first. Unlimited hours during the first 2 years (24 months). Coil-over shocks and all suspension related components are covered for 5 years (60 months) unlimited hours. Coverage on other components varies, please see operator's manual for complete details. [†] |

* All power levels are stated gross horsepower at 3600 RPM per SAE J1940 as rated by Briggs & Stratton.

** All power levels are stated gross horsepower per SAE J2723 as rated by Kawasaki.

† See operator's manual or dealer for complete warranty details. Refer to engine operator's manual for engine warranty.

SPECIFICATIONS

FW SERIES

► Indicates Model Upgrade/Increase

| | FW15 | FW25 | | | FW45 | | | | | |
|--|--|--|---|--|--|---|--|---|--|------------------|
| Part #: | 5901737 | 5901886 | 5901887 | 5901888 | 5902014 | 5901891 | 5902015 | 5901892 | 5901893 | 5902016 |
| Engine Brand | Honda® GXV390 | Kawasaki® FS600V | Kawasaki® FS600V | Kawasaki® FS600V | Kawasaki® FX551V | Kawasaki® FX551V | Kawasaki® FX551V | Vanguard® 810 EFI with Oil Guard™ | Vanguard® 810 EFI with Oil Guard™ | Kawasaki® FX730V |
| Power Rating (hp) | 10.2* | 18.5** | 18.5** | 18.5** | 20.5** | 20.5** | 20.5** | 28* | 28* | 23.5** |
| Displacement (cc) | 389 | 603 | 603 | 603 | 726 | 726 | 726 | 810 | | 726 |
| PTO | Manual, cable | Electric | | | Electric | | | | | |
| Cylinders | 1 | 2 | | | 2 | | | | | |
| Starter | Manual | Electric | | | Electric | | | | | |
| Oil Guard™ | N/A | N/A | | | N/A | | ► | | Standard | N/A |
| Fuel Tank Capacity (gal) | 0.55 | 5 | | | 5 | | | | | |
| MOWER DECK | | | | | | | | | | |
| Cutting Width (in.) | 32 | 36 | 48 | | 48 | 52 | | | | 61 |
| Cutting Height (in.) | 1.5 - 5 | 1.5 - 4.5 | | | 1.5 - 5 | | | | | |
| Deck Construction | 14 and 12-gauge | Fabricated 10-gauge | | | Fabricated 10-gauge | | | | | |
| Spindles | Aluminum greaseable | Aluminum greaseable | | | 8" Cast-iron | | | | | |
| SUSPENSION & DRIVE TRAIN | | | | | | | | | | |
| Transmission | Peerless axle with differential chain driven by Hydro-Gear® RT-310™ pump and motor | Dual, commercial Hydro-Gear® ZT-3100® transaxes with 7" mounted cooling fans | | | Dual commercial Hydro-Gear® ZT-3400® transaxes with 7" cooling fans with oil coolers | | | | | |
| Drive Axles (in.) | 0.75 | 1 | | | 1 | | | | | |
| Drive Tires (in.) | 13 x 5 - 6 | 20 x 7 - 10 | | | 20 x 7 - 10 | 20 x 8 - 10 | | | | |
| Caster Tires (in.) | 10.5 x 3 Caster wheel | 9 x 3.5 - 4 Flat-free | | | 11 x 4 - 5 Flat-free | | | | | |
| SPEED | | | | | | | | | | |
| Speeds-Fwd (mph) | 0 - 4 | 0 - 6 | | | 0 - 7 | | | | | |
| Speeds-Rev (mph) | 0 - 2 | 0 - 3 | | | 0 - 3 | | | | | |
| DIMENSIONS | | | | | | | | | | |
| Overall Length (in.) | 73.5 | Standard: 78, CC™: 73 | | | CC™: 75* | Standard: 78.75* | CC™: 75* | Standard: 78.75* | CC™: 75* | CC™: 75* |
| Overall Width (in) Deflector Down / Up | 44 / 32.5 | 48.5 / 40.75 | 59.75 / 52.5 | | 62.5 / 49.5 | 67 / 57 | | | | 76.5 / 65 |
| Dry Weight (lbs.) | 285 | 632 | 694 | | 809 | 814 | | | | 888 |
| OPERATOR SYSTEMS | | | | | | | | | | |
| Instrumentation | Speed indicator | Dual-function hour meter | | | Dual-function hour meter, speed indicator | | | | | |
| Safety Group / Controls | Blade control bail OPC | CC™ (Centralized Controls; Operator presence, centralized foot activated neutral pedals, neutral start safety circuit) | Standard Controls; Operator presence, centralized foot activated neutral pedals, neutral start safety circuit | CC™ (Centralized Controls; Operator presence, centralized foot activated neutral pedals, neutral start safety circuit) | CC™ (Centralized Controls; Operator presence, centralized foot activated neutral pedals, neutral start safety circuit) | Standard Controls; Operator presence, centralized foot activated neutral pedals, neutral start safety circuit | CC™ (Centralized Controls; Operator presence, centralized foot activated neutral pedals, neutral start safety circuit) | Standard Controls; Operator presence, centralized foot activated neutral pedals, neutral start safety circuit | CC™ (Centralized Controls; Operator presence, centralized foot activated neutral pedals, neutral start safety circuit) | |
| Parking Break | — | Hand-operated internal transaxle brake | | | Hand-operated internal transaxle brake | | | | | |
| WARRANTY | | | | | | | | | | |
| Engine | 3-Year limited manufacturer's warranty† | | | | | | | | | |
| Balance of Machine | 2-Year limited warranty commercial use, front-to-rear, parts & labor. Coverage on other components varies, please see operator's manual for complete details.† | | | | | | | | | |

* Power levels are stated gross horsepower at 3600 rpm per SAE J1940 as rated by Briggs & Stratton.

** All power levels are stated gross horsepower per SAE J2723 as rated by Kawasaki.

SPECIFICATIONS

FB SERIES

| | FB1000 | FB2000 | FB3000 |
|-------------------------------|--|--|--|
| Part #: | 5902012 | 5901963 | 5901962 |
| Engine Brand | Vanguard® V-Twin | Vanguard® V-Twin | Vanguard® V-Twin |
| Power Rating (hp) | 18* | 23* | 35* |
| Displacement (cc) | 570 | 627 | 993 |
| RPM | 3300 | 3200 | 2600 |
| FUEL SYSTEM | | | |
| Fuel Tank Capacity (gal) | 5 | 10 | 10 |
| Fuel Type | Regular, unleaded gasoline | Regular, unleaded gasoline | Regular, unleaded gasoline |
| TRANSMISSION | | | |
| Drive Train Type | Dual hydrostatic | Dual hydrostatic | Dual hydrostatic |
| Transaxles | Dual commercial Hydro-Gear® ZT-3100* transaxles with 7" cooling fans | Dual commercial Hydro-Gear® ZT-3100* transaxles with 7" cooling fans | Dual commercial Hydro-Gear® ZT-3100* transaxles with 7" cooling fans |
| Number of Speeds | Infinitely variable | Infinitely variable | Infinitely variable |
| Max. Travel Speed | 8 mph | 8 mph | 9 mph |
| TIRES & WHEELS | | | |
| Front Tires | 11 X 4 - 5, Flat-Free | 11 x 4 - 5 | 13 x 5.5 - 6 |
| Rear Tires | 20 x 8 - 8 | 20 x 8 - 8 | 22 x 11 - 10 |
| BLOWING | | | |
| Air Flow | 3500 cubic feet per minute | 4500 cubic feet per minute | 7500 cubic feet per minute |
| Air Speed | 150+ mph | 165+ mph | 165+ mph |
| DIMENSIONS | | | |
| Overall Length (in) | 59 | 60 | 65 |
| Overall Width (in) | 35.5 | 42 | 45 |
| Overall Height (in) | 47 | 54 | 56 |
| Dry Weight (lbs) | 664 | 749 | 895 |
| ELECTRICAL SYSTEM | | | |
| Charging System | 16 amp | 20 amp | 20 amp |
| Ignition | Flywheel magneto | Flywheel magneto | Flywheel magneto |
| Starter | Solenoid shift | Solenoid shift | Solenoid shift |
| Fuse | 20 amp blade | 30 amp blade | 30 amp blade |
| WARRANTY¹ | | | |
| Warranty (Engine) | 2-Year limited manufacturer's warranty | | |
| Warranty (Balance of Machine) | Standard: 2 years; Rental: 1 year | | |

* Power levels are stated gross horsepower at 3600 rpm per SAE J1940 as rated by Briggs & Stratton.

¹ See operator's manual or terratractors.com for complete warranty details. Refer to the engine operator's manual for engine warranty details.

SPECIFICATIONS

FS SERIES (SPREADERS)

| | Rover™ FS1100 | Rover™ XC FS1200 |
|--|---|---|
| Model # | 5901999 | 5902000 |
| Model | Vanguard® 160 | Vanguard® 160 |
| Power Rating (hp) | 5* | 5* |
| Displacement (cc) | 169 | 169 |
| RPM | Full speed: 3750 rpm (no load) Idle: 1400 rpm | Full speed: 3750 rpm (no load) Idle: 1400 rpm |
| Clutch | 2:1 gear reduction wet clutch | 2:1 gear reduction wet clutch |
| FUEL SYSTEM | | |
| Capacity | 0.82 gal. (3.1 L) | 0.82 gal. (3.1 L) |
| Fuel Type | Regular unleaded gasoline, 87 octane or higher | Regular unleaded gasoline, 87 octane or higher |
| Fuel Shut-Off Valves | Located on engine | Located on engine |
| TRANSMISSION | | |
| Model | Peerless 855 Series coated for corrosion resistance | Peerless 855 Series coated for corrosion resistance |
| Gear Selections | 2 forward, 1 reverse, neutral | 2 forward, 1 reverse, neutral |
| Speed | Low gear: 3.5 mph (5.6 km/hr) High gear: 5 mph (8 km/hr) | Low gear: 3.5 mph (5.6 km/hr) High gear: 5 mph (8 km/hr) |
| TIRES & WHEELS | | |
| Front Tires | 18" x 9.5 - 8, RV antifreeze added for ballast and traction | 18" x 9.5 - 8, RV antifreeze added for ballast and traction |
| Rear Tires | 13" x 6.5 - 6 | 13" x 6.5 - 6 |
| SPREADER | | |
| Model | Spyker 120 Series | Spyker 220 Series |
| Capacity | 100 lbs. | 200 lbs. |
| Spread Width | 14' (consistent) | 14' (consistent) |
| DIMENSIONS | | |
| Overall Length | 53" (137 cm) | 54" (137 cm) |
| Overall Width | 35.5" (90 cm) | 35.5" (90 cm) |
| Overall Height | 49" (124 cm) | 49" (124 cm) |
| Weight | Dry: 320 lbs. (145 kg), Full: 440 lbs. (200 kg) | Dry: 330 lbs. (150 kg), Full: 550 lbs. (249 kg) |
| ELECTRICAL SYSTEM | | |
| Charging System | N/A | N/A |
| Charging Capacity | N/A | N/A |
| Safety Interlock | This machine is equipped with a neutral safety start module. To start the engine, the transmission must be in the neutral (N) position. | |
| WARRANTY¹ | | |
| Spreader | Standard warranty period: 1 year (12 months); Rental warranty period: 90 days | |
| Belts, Tires, Brake Pads, Hoses, Battery | Standard warranty period: 90 days; Rental warranty period: 90 days | |
| Accessories | Standard warranty period: 1 year (12 months); Rental warranty period: 90 days | |
| Engine | See Engine Operator's Manual | |

FS SERIES (SPREADER/SPRAYERS)

| | Pathfinder™ FS2100 | Pathfinder™ XC FS2200 |
|-----------------------------------|---|---|
| Model # | 5901752 | 5901753 |
| Model | Honda® GX200-URH2 | Honda® GX200-URH2 |
| Power Rating (hp) | 5.8* | 5.8* |
| Displacement (cc) | 196 | 196 |
| RPM | Full speed: 3750 rpm (no load), Idle: 1400 rpm | Full speed: 3750 rpm (no load), Idle: 1400 rpm |
| Clutch | 2:1 gear reduction wet clutch | 2:1 gear reduction wet clutch |
| FUEL SYSTEM | | |
| Capacity | 2.5 gal. (9.5 L) | 2.5 gal. (9.5 L) |
| Fuel Type | Regular unleaded gasoline, 87 octane or higher | Regular unleaded gasoline, 87 octane or higher |
| Fuel Shut-Off Valves | Located on engine and below tank | Located on engine and below tank |
| TRANSMISSION | | |
| Model | Peerless 855 Series coated for corrosion resistance | Peerless 855 Series coated for corrosion resistance |
| Gear Selections | 2 forward, 1 reverse, neutral | 2 forward, 1 reverse, neutral |
| Speed | Low gear: 3.5 mph (5.6 km/hr), High gear: 5 mph (8 km/hr) | Low gear: 3.5 mph (5.6 km/hr), High gear: 5 mph (8 km/hr) |
| TIRES & WHEELS | | |
| Front Tires | 18" x 9.5 - 8, RV antifreeze added for ballast and traction | 18" x 9.5 - 8, RV antifreeze added for ballast and traction |
| Rear Tires | 13" x 6.5 - 6 | 13" x 6.5 - 6 |
| SPREADER | | |
| Model | Spyker 120 Series | Spyker 220 Series |
| Capacity | 100 lbs. | 200 lbs. |
| Electric Spreader Motor | N/A | N/A |
| Spread Width | 14' (consistent) | 14' (consistent) |
| SPRAYING SYSTEM | | |
| Spray Pump | 2 gpm mechanically driven diaphragm pump | 2 gpm mechanically driven diaphragm pump |
| Tank Capacity | 12 gal. (45.4 L) | 16 gal. (60.6 L) |
| Nozzles | Broadcast: Turbo FloodJet® TF-V55, Trim: Turbo TeeJet® TT11004VP | Broadcast: Turbo FloodJet® TF-V55, Trim: Turbo TeeJet® TT11004VP |
| Spray Widths | 3' or 10' | 3' or 10' |
| Spray Pressure | Regulated to 25 psi (172 kPa) to match ground speed with tip output | Regulated to 25 psi (172 kPa) to match ground speed with tip output |
| Spray Rate | 1/4 gallon per thousand square feet | 1/4 gallon per thousand square feet |
| Production (sq. ft. per fill) | 48,000 | 64,000 |
| DIMENSIONS | | |
| Overall Length | 54" (137 cm) | 58" (147 cm) |
| Overall Width | 35.5" (90 cm) | 35.5" (90 cm) |
| Overall Height | 49" (124 cm) | 49" (124 cm) |
| Weight | Dry: 420 lbs. (190 kg), Full: 640 lbs. (290 kg) | Dry: 450 lbs. (204 kg), Full: 670 lbs. (304 kg) |
| ELECTRICAL SYSTEM | | |
| Charging System | N/A | N/A |
| Charging Capacity (min / max) | N/A | N/A |
| Safety Interlock | This machine is equipped with a neutral safety start module. To start the engine, the transmission must be in the neutral (N) position. | |
| WARRANTY¹ | | |
| Spreader/Sprayer | Standard warranty period: 1 year (12 months); rental warranty period: 90 days | |
| Belts | Standard warranty period: 90 days; rental warranty period: 90 days | |
| Tires, Brake Pads, Hoses, Battery | Standard warranty period: 90 days; rental warranty period: 90 days | |
| Accessories | Standard warranty period: 1 year (12 months); rental warranty period: 90 days | |

* Power levels are stated gross horsepower at 3600 rpm per SAE J1940 as rated by Briggs & Stratton.

^ Power rated by engine manufacturer.

¹ See operator's manual or terrisowners.com for complete warranty details. Refer to the engine operator's manual for engine warranty details.

SPECIFICATIONS

| Venture™ FS3100 | Venture™ XC FS3200 | Voyager FS5250 |
|---|---|---|
| 5901754 | 5901755 | 5901756 |
| Vanguard® V-Twin engine | Vanguard® V-Twin engine | Vanguard® V-Twin engine |
| 18" | 18" | 23" |
| 570 | 570 | 627 |
| 3600 rpm | 3600 rpm | 3600 rpm |
| N/A | N/A | N/A |
| 2.5 gal. (9.5 L) | 2.5 gal. (9.5 L) | 9 gal. (34.1 L) |
| Regular unleaded gasoline, 87 octane or higher | Regular unleaded gasoline, 87 octane or higher | Regular unleaded gasoline, 87 octane or higher |
| N/A | N/A | N/A |
| Hydro-Gear® ZT-3100* | Hydro-Gear® ZT-3100* | 16cc Parker Pumps & 475cc Motors |
| N/A | N/A | N/A |
| 8 mph | 8 mph | 8 mph |
| 13" x 6.5 - 6 | 13" x 6.5 - 6 | 16" x 8.5 - 8 |
| 20" x 8 - 10 | 20" x 10 - 12 | 24" x 12 - 12 |
| Spyker 120 Series | Spyker 220 Series | Ferris Custom Molded Hopper |
| 100 lbs. | 200 lbs. | 250 lbs. |
| Standard | Standard | Standard |
| 3' to 25' (variable) | 3' to 25' (variable) | 3' to 25' (variable) |
| 4 gpm electric diaphragm pump | 4 gpm electric diaphragm pump | 9.2 gpm roller pump |
| 24 gal. (90.8 L) | 24 gal. (90.8 L) | 80 gal. (302.8 L) |
| 4 - TT11003-VP | 4 - TT11003-VP | 6 - ADXR11002S |
| 2', 4', 6' or 8' | 2', 4', 6' or 8' | 4', 6' or 12' |
| 20 psi | 20 psi | 20 psi |
| 1/4 gallon per thousand square feet | 1/4 gallon per thousand square feet | 1/4 gallon per thousand square feet |
| 96,000 | 96,000 | 320,000 |
| 65" (165.1 cm) | 65" (165.1 cm) | 79" (200.6 cm) |
| 36" (91.4 cm) | 39" (99.1 cm) | 61" (154.9 cm) |
| 48" (121.9 cm) | 48" (121.9 cm) | 50" (127 cm) |
| Dry: 617 lbs. (279.8 kg), Full: 929 lbs. (421.4 kg) | Dry: 627 lbs. (284.4 kg), Full: 939 lbs. (425.9 kg) | Dry: 1,406 lbs. (637.7 kg), Full: 2,600 lbs. (1,179.3 kg) |
| Standard | Standard | Standard |
| 20 amp / 50 amp | 20 amp / 50 amp | 20 amp / 50 amp |
| Parking brake must be engaged to start engine | Parking brake must be engaged to start engine | Parking brake must be engaged to start engine |
| Standard warranty period: 1 year (12 months); rental warranty period: 90 days | | |
| Standard warranty period: 90 days; rental warranty period: 90 days | | N/A |
| Standard warranty period: 90 days; rental warranty period: 90 days | | |
| Standard warranty period: 1 year (12 months); rental warranty period: 90 days | | |
| See engine operator's manual | | |



WORK HARD. FEEL GOOD.

Briggs & Stratton: All power levels are stated gross horsepower at 3600 rpm per SAE J1940.

Kawasaki: Only Kawasaki Critical Power engines listed in this brochure have been tested in accordance with SAE J1995, verified by TÜV Rheinland Group, horsepower-rated in accordance with SAE J2723, and certified by SAE International. Torque ratings of these engines were not certified by SAE. Actual power and torque output will vary depending on numerous factors, including, but not limited to, the operating speed of the engine in application, environmental conditions, maintenance, and other variables.

Yanmar: Power rated by engine manufacturer.

Honda: Power rated by engine manufacturer.

CAT: Power is rated for 48 gross horsepower at 2800 rpm as rated by CAT.

Hydro-Gear® is a registered trademark of Hydro-Gear Inc. and is used under license.

Kawasaki® is a registered trademark of Kawasaki Motors Corporation.

Yanmar™ is a trademark of Yanmar.

Honda® is a registered trademark of Honda Motor Company, Ltd.

CAT® is a registered trademark of Caterpillar Inc.

Not all models available in California.

Briggs & Stratton has a policy of continuous product improvement and reserves the right to modify its specifications at any time and without prior notice. Products may vary from images shown.

BRIGGS & STRATTON

Milwaukee, WI 53201-0702 USA

(414) 259-5333

Copyright ©2022. All rights reserved.

710022